



HAL
open science

Vimentin: Regulation and pathogenesis

Denise Paulin, Alain Lilienbaum, Sareen Kardjian, Onnik Agbulut, Zhenlin Li

► **To cite this version:**

Denise Paulin, Alain Lilienbaum, Sareen Kardjian, Onnik Agbulut, Zhenlin Li. Vimentin: Regulation and pathogenesis. *Biochimie*, 2022, 197, pp.96-112. 10.1016/j.biochi.2022.02.003 . hal-03671362

HAL Id: hal-03671362

<https://u-paris.hal.science/hal-03671362v1>

Submitted on 18 May 2022

HAL is a multi-disciplinary open access archive for the deposit and dissemination of scientific research documents, whether they are published or not. The documents may come from teaching and research institutions in France or abroad, or from public or private research centers.

L'archive ouverte pluridisciplinaire **HAL**, est destinée au dépôt et à la diffusion de documents scientifiques de niveau recherche, publiés ou non, émanant des établissements d'enseignement et de recherche français ou étrangers, des laboratoires publics ou privés.

Vimentin: Regulation and Pathogenesis

Denise Paulin^a, Alain Lilienbaum^b, Sareen Kardjian^a, Onnik Agbulut^{a*}, Zhenlin Li^{a*}

^a Sorbonne Université, Institut de Biologie Paris-Seine (IBPS), CNRS UMR 8256, Inserm ERL U1164, Biological Adaptation and Ageing, 75005, Paris-France.

^b Université de Paris, Unit of Functional and Adaptive Biology, CNRS UMR 8251, 75013 Paris, France

***Correspondence to:**

Dr Zhenlin Li, Institut de Biologie Paris-Seine, UMR CNRS 8256, Inserm ERL U1164, 7, quai St Bernard (case 256), 75005 Paris-France. Email : zhenlin.li@sorbonne-universite.fr

Pr Onnik Agbulut, Institut de Biologie Paris-Seine, UMR CNRS 8256, Inserm ERL U1164, 7, quai St Bernard (case 256), 75005 Paris-France. Email : onnik.agbulut@sorbonne-universite.fr

1
2 **Abstract**
3

4 Vimentin, an abundant cytoplasmic intermediate filament protein, is recognized for its important role in
5 stabilizing intracellular structure. Vimentin has been recognized for its mechanical role in cell plasticity
6 and stress absorbers. Additionally, the functions of vimentin, similar to all other cytoplasmic
7 intermediate filaments, are correlated to its ability to interact with cellular components responsible for
8 signaling as well as kinases, therefore exerting control on gene regulatory networks. Moreover, several
9 studies reveal a novel form of vimentin present at the surface of the plasma membrane or released in the
10 extracellular environment in different physiological and pathological conditions. Based on data
11 pertaining to vimentin's location outside of the cell, novel functions have emerged. The vimentin
12 promoter is complex and appears to be controlled by a combination of positive and negative regulatory
13 elements. In this review, we first present the involvement of these regulatory elements as well as
14 epigenetic regulation of vimentin in different physiological and pathological contexts, including cell
15 growth, cell differentiation, cancer, epithelial to mesenchymal transition and viral infection.
16 Furthermore, this review also analyzes the secretion of vimentin, its presence at the cell surface, the role
17 of extracellular vimentin as a specific marker, its function as a receptor for the von Willebrand factor as
18 well as the entry of viruses, requirements for pathogen invasion, transcellular migration, and the immune
19 response. Finally, a discussion is featured regarding the delocalization of vimentin that may contribute
20 to diseases and disorders.
21
22
23
24
25
26
27
28
29
30
31

32
33
34 **Key words**
35

36 Cytoskeleton, Intermediate filaments, Post-translational modifications, Epithelial to mesenchymal
37 transition, Viral infection.
38
39
40
41
42
43
44
45
46
47
48
49
50
51
52
53
54
55
56
57
58
59
60
61
62
63
64
65

Abbreviations

1 **Akt1**, RAC-alpha serine/threonine-protein kinase
2 **AP-1**, activating protein-1
3 **ASE**, anti-silencer element
4 **CaMKII**, Calcium/calmodulin-dependent protein kinase II
5 **Cdk1**, cyclin-dependent kinase 1
6 **Cdk5**, cyclin-dependent kinase 5
7 **DS**, distal silencing element
8 **EMT**, epithelial-mesenchymal transition
9 **EPHB3**, ephrin type-B receptor 3
10 **EZH2**, enhancer of zeste homolog 2
11 **GC**, GC-rich box
12 **GlcNAc**, N-acetylglucosamine
13 **H4TF1**, histone 4 transcription factor 1
14 **H3K4me1**, mono-methylated histone H3 lysine 4.
15 **H3K4me2**, di-methylated histone H3 lysine 4.
16 **H3K27me3**, lysine 27 residues of histone H3 trimethylation
17 **HTLV-1**, human T-cell leukemia virus type I
18 **IF**, intermediate filament
19 **lncRNA**, long non-coding RNA
20 **LSD1**, lysine-specific demethylase 1
21 **miR**, MicroRNA
22 **MAPKAP-KII**, mitogen-activated protein kinase-activated protein kinase-2
23 **MoAb**, monoclonal antibody
24 **NE2**, negative element 2
25 **NF- κ B**, nuclear factor kappa-light-chain-enhancer of activated B cells
26 **PAK**, p21-activated kinase
27 **PEA3**, polyoma enhancer activator 3
28 **PKA**, cAMP-dependent protein kinase A
29 **PKC**, protein kinase C
30 **Plk-1**, polo like kinase 1
31 **PS**, proximal silencing element
32 **PSGL-1**, P-selectin glycoprotein ligand-1
33 **RNF208**, RING finger protein 208
34 **ROCK**, Rho-associated protein kinase.
35 **SOCS1**, suppressor of cytokine signaling protein 1
36 **TNIP1**, TNF- α induced protein 3 interacting protein 1
37 **ULFs**, unit-length filaments
38 **vWF**, von Willebrand factor
39
40
41
42
43
44
45
46
47
48
49
50
51
52
53
54
55
56
57
58
59
60
61
62
63
64
65

1. Introduction

1 Intermediate filaments (IFs) constitute a multigenic family whose members are expressed in a cell-
2 specific manner. Intracellular IFs, having a size between that of actin filaments and microtubules, are
3 comprised of several distinct tissue-specific proteins. The coiled-coil alpha-helical structure responsible
4 for polymerization into individual 10 nm filaments, is composed of a sequence conservation that defines
5 an extensive gene family, which includes nuclear lamins, found universally in metazoans, and
6 cytoplasmic IFs, which are known to be quite diverse and capable of forming cell type-specific networks
7 within animal cells [1–4].

8
9
10
11
12
13
14 Among IF genes, sequence homologies are concentrated in the coding region whereas regulatory
15 sequences are considerably more divergent. From an evolutionary point of view, vimentin emerged
16 before other type III IF genes that could be derived from a vimentin-like ancestor [5]. Under normal
17 physiological conditions, vimentin IFs are required for mesenchymal cell plasticity. Furthermore, they
18 are instrumental in ensuring the migration of cancer cells following epithelial-mesenchymal transition
19 (EMT) [6].

20
21
22
23
24
25 The importance of EMT is initially revealed during gastrulation due to its role in the transformation of
26 polarized epithelial cells into migratory mesenchymal cells, which subsequently form the embryonic
27 and extra-embryonic mesoderm. The EMT is a highly conserved cellular program that occurs during
28 several critical stages of embryonic development and, as such, heavily contributes to the formation and
29 in the differentiation of multiple tissues and organs. In addition, it has been implicated in promoting
30 carcinoma invasion and metastasis [7]. Therefore, the mesenchymal state relies on the ability of cells to
31 migrate to distant organs and maintain stemness, enabling subsequent differentiation into multiple cell
32 types during development.

33
34
35
36
37
38 Embryonic development is characterized by a transient expression of vimentin in mesodermal and neural
39 precursor cells from the early embryo. Subsequently, vimentin disappears from these cells, which in
40 turn begin to accumulate other IFs. The first IFs are detectable in oocytes and are composed of
41 cytokeratins 5, 6, 8 and 16. Low expression of cytokeratins 8 and 18 can be detected in early cleavage
42 and morula stage of mouse embryos [8–10]. In the central and peripheral nervous system, neurofilament
43 expression is preceded by that of vimentin, and both types of IFs coexist within the same cell for a short
44 period of time [11,12]. Without vimentin, the activation of glial fibrillary acidic protein in satellite glial
45 cells could not occur [13,14].

46
47
48
49
50
51
52 Vimentin is expressed during the early stages of development of the embryo within highly plastic
53 precursor cells whereas in postnatal life its expression is limited to endothelial cells, fibroblasts, and
54 smooth muscle cells. While vimentin expression is restricted to some cell types in adult animals, it can
55 be re-induced *in vivo* during regeneration such as during epithelial wound healing [15], mammary gland
56 regeneration [16], muscle regeneration [17,18], liver regeneration [19], nervous system regeneration
57
58
59
60
61
62
63
64
65

1 [20] and in many cell types upon in cell culture such as muscle satellite cells and epithelial cells culture
2 [21–23]. This reinduction of vimentin is related to the EMT, cell migration, cell contraction and cell-
3 extracellular matrix interaction. It appears that vimentin would be necessary during the repair to control
4 the synthesis and organization of cell-specific IF [24–26].
5

6
7 In contrast to the idea that the IF network in the cytoplasm is stable based on the *in vitro* IF assembly
8 studies, *in vivo* pulse chase experiments indicate that the IF network is dynamics. IFs assemble from a
9 soluble pool of tetrameric IF precursors/subunits [27–30]. Vimentin IF assembly/disassembly is an
10 important structural requirement to execute cellular functions such as cell migration and cell division. It
11 consists of the constant exchange between polymerized vimentin and soluble vimentin precursors,
12 referred to as unit-length filaments (ULFs) in cells, that permit efficient remodeling of the IF network
13 according to physiological stimuli or diverse stresses [27]. Post-translational modifications (PTMs) such
14 as phosphorylation of vimentin is involved in vimentin assembly/disassembly and function [28,31,32].
15 In addition, the vimentin network can be disassembled by proteolysis, and the cleavage of vimentin can
16 occur through the actions of enzymes such as caspase, calpain and viral proteases, demonstrating their
17 influence on vimentin IF function [33–36].
18
19
20
21
22
23
24
25

26 Vimentin also serves as a scaffold for many other proteins and participates in the regulation of cell
27 migration, adhesion, and division through the direct interaction with two other major filamentous
28 components, *i.e.* actin filaments and microtubules [37–39]. Vimentin is enriched in F-actin interactome
29 during metaphase and is actively involved in actin cortex organization, mechanics and mitosis in a
30 plectin-dependent manner [37,38]. Vimentin interacts intracellularly with plectin, acting as a
31 cytoskeletal cross-linker for the three major components of the cytoskeleton which are in turn important
32 for the localization and dynamics of these cytoskeletal systems and cell morphogenesis [40,41]. It has
33 been shown that vimentin IFs can bind to microtubules [39]. Underneath the plasma membrane,
34 vimentin interacts with integrin subunits such as $\beta 1$ and $\beta 3$ integrin, and is involved in cell adhesion in
35 a phosphorylation-dependent manner [42–44]. It has been further demonstrated that phosphorylated
36 vimentin interacts with signaling molecules such as 14-3-3, beclin 1, Akt1, involving cellular functions
37 such as autophagy and cell migration [45–47]. In addition, vimentin interacts with many other partners
38 such as desmin, synemin, GFAP, and nestin; additional IF types [26,48,49].
39
40
41
42
43
44
45
46
47

48 The invalidation of the vimentin gene in mice has yielded surprising results. Firstly, vimentin knock-out
49 mice have been reported to develop and reproduce without an obvious phenotype [50]. Further detailed
50 analysis of vimentin knock-out mice revealed the abnormalities in their cells and tissues, including
51 defects in migration and scarring [15], wound healing [51], lipid metabolism [52], inflammation and
52 immune responses [53,54], glia and neuronal functions [13,20,55] and arterial stiffness [56,57],
53 highlighting the subtle role of vimentin in several biological processes [26,58,59]. In humans, a number
54 of IFs mutation-associated phenotypes have been identified, often linked to mechanical or metabolic
55 stresses [60–62]. As described in a recent report, a 39-year-old patient possessing a *de novo*
56
57
58
59
60
61
62
63
64
65

heterozygous missense variant (c.1160 T>C-p.Leu387Pro) exhibited a multisystem disorder associated with frontonasal dysostosis and premature aging [63]. Moreover, two other missense variants (c.451G>A-p.Glu151Lys; c.623A>G-Gln208Arg) [64,65] and one frameshift mutation (c.15del-p.Val6fs) [66] in the human vimentin gene have also been identified in individuals diagnosed with cataracts. Similarly, in 2008, Bornheim et al [67] demonstrated that transgenic mice possessing a dominant vimentin R113C point mutation develop cataracts.

The functionalities of IFs are directly associated to their interactions with signaling molecules and cell kinases, which subsequently allows for their control of gene regulatory networks [68]. As a member of the “immediate early genes” family, vimentin expression rapidly increases in response to viral infection and inflammatory stimuli, which may further promote viral entry. Moreover, vimentin is overexpressed in various epithelial cancers, including prostate cancer, breast cancer, malignant melanoma, gastrointestinal tumors, tumors of the central nervous system, and lung cancer, which clearly demonstrates the underlying role of vimentin in cancer (see reviews) [7,26,49,69]. Recent data have revealed novel roles of vimentin at the cell surface as well as in the extracellular environment. This review will focus on the regulation of vimentin and its involvement in different cellular processes as well as pathologies, focusing particularly on cell surface and extracellular vimentin.

2. The molecular mechanism of vimentin expression

2.1. The vimentin promoter is composed of multiple regulatory elements

The vimentin gene has been mapped to chromosome 10p12 in humans and to chromosome 2A in mice [70–72]. It has been cloned and extensively characterized in several vertebrate organisms such as humans, mice, hamsters and chickens [73–81].

The vimentin gene belongs to the family of immediate-early genes that are rapidly activated when cells are stimulated from quiescence to mitosis [75,79,82,83]. Enhancer binding sites as well as negative elements have been characterized in human, hamster and chicken genes [84–89]. While vimentin expression is restricted to some cell types in animals, it can be re-induced in most cell types upon *in vitro* cell culture as well as in pathogenic situations. Two enhancers, the distal one containing a tandem of the AP-1/Jun binding site whereas the proximal one consists of NF-κB binding sites, are involved in the control of vimentin gene expression. These enhancers hold the potential to explain one of the molecular mechanisms through which the vimentin gene is a mitogen-inducible gene [86,90,91]. Cellular factors related to the NF-κB family are required for the induction of the vimentin gene by the tumor promoter phorbol 12-myristate 13-acetate and by the human T-cell leukemia virus type I (HTLV-1) tax gene product. The regulation of vimentin expression requires additional regulatory elements, including upstream silencer and desilencer elements, in order to induce the appropriate expression of the gene in accordance with the cellular circumstances [92–94]. **Figure 1** presents the human vimentin promoter that is composed of the multiple regulatory elements. The following paragraphs summarize

the involvement of these binding sites and their corresponding activating or repressing factors in the regulation of vimentin during cell growth, cell and tissue differentiation, cancer, EMT as well as viral infection.

2.2. Regulation of vimentin in cell growth

Within the IF family, vimentin has been observed to exhibit a complex pattern with tissue- and development-specific expression. Vimentin is initially largely expressed in the embryo and becomes progressively limited to cells belonging to the mesenchymal lineage. Vimentin is expressed in the vast majority of cultured cells. In these cells, vimentin expression is regulated by the cell cycle [75], growth factors such as TGF β 1, FGF and PDGF [95], and the INF- γ cytokine [96]. This regulation involves the tandem site AP-1, which binds heterodimers of basic, leucine-zipper (bZIP) proteins of either Jun (c-Jun, JunB, JunD), Fos (cFos, FosB, Fra1 and Fra2), ATF (ATF-1, ATF-2)/CREB, or homodimers of Jun/Jun [97,98]. In addition to this inducible site, the vimentin promoter requires the binding of transcription factors Sp1/Sp3 on the first GC-box [99,100]. The deletion of this box considerably reduces the level of transcription of the promoter [100]. Lastly, c-Jun, or its assumed dominant negative mutant TAM67, is capable of regulating vimentin gene expression through a direct interaction with Sp1 when the latter is bound to GC-box 1 [101].

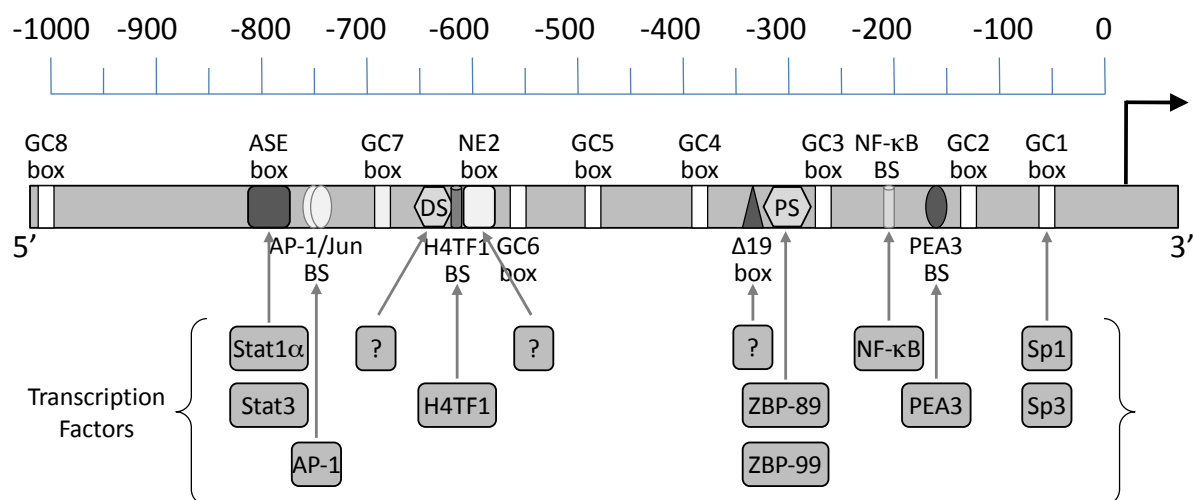


Figure 1. A diagram representation of binding sites (BS) of transcription factors in the 5'-end of the human vimentin gene. The position of regulatory elements, GC boxes, PEA3 binding site, NF- κ B binding site, PS, Δ 19 box, NE2 box, H4TF1 binding site, DS, AP-1/jun binding site, and ASE box are indicated in the figure. 8 GC-rich boxes are described [99] but only the most proximal box 1 (GC1) is indispensable for promoter activation. GC boxes can bind Sp1 or Sp3 transcriptional activators [100]. The PEA3 binding site (-173/-159) subgroup belongs to the Ets transcription factor family and has been identified as being overexpressed in multiple cancers [102]. The members of Ets family are responsible for inducing cell growth, invasion, and migration in various tumor cells, which subsequently causes tumor development, metastasis, and drug resistance. The NF- κ B binding site (-230/-224) comprises a group of transcription factors involved in immune and stress responses, while its abnormal regulation leads to cancer, inflammatory and autoimmune diseases. In the case of the human vimentin promoter, this binding site of NF- κ B has been identified as mediating the transactivation effect of the Tax protein from the HTLV-I virus [90]. The PS (-329/-289) and the DS (-645/-631) are proximal and distal silencing elements, respectively, responsible for down-regulating the human vimentin promoter [99].

1 The **H4TF1** binding site (-642/-617), the histone 4 transcription factor 1 and **NE2** box (-616/-589) are
2 involved in the downregulation of vimentin gene expression during skeletal muscle differentiation, close
3 to the **DS** [103]. The **Δ19** has been reported to contain a region exerting a negative effect in the context
4 of a heterologous promoter [87], but has a positive effect in the context of its normal vimentin promoter
5 [104]. The **AP-1/Jun** binding site (-765/-751) is assembled from jun-jun, jun-fos, or jun-ATF family
6 protein homo- or heterodimers. AP-1 is among the class of basic leucine zipper (bZIP) transcription
7 factors. The **ASE** (-815/-775) has no enhancer property by itself, but can override the effect of the
8 proximal (**PS**) and distal (**DS**) silencer elements [105]. The **ASE** anti-silencer element specifically binds
9 Stat1α or Stat3 [105]. Activated Stat3 can interact with ZBP-89, resulting in the binding to the proximal
10 silencing element in order to overcome its repressor effect [106]. **GC**, GC rich box; **PEA3**, Polyoma
11 enhancer activator 3; **NF-κB**, nuclear factor kappa-light-chain-enhancer of activated B cells; **PS**,
12 proximal silencing element; **NE2**, negative element 2; **H4TF1**, Histone 4 transcription factor 1; **DS**,
13 Distal silencing element; **AP-1**, Activating protein-1; **ASE**, anti-silencer element; **BS**, binding site.
14
15

16 **2.3. Regulation of vimentin in cell and tissue differentiation**

17 Vimentin is expressed in migrating mesenchymal cells and this expression is often decreased to facilitate
18 the actions of tissue-specific IF proteins such as that of desmin in muscle. The down-regulation of
19 positive transcription factors such as Sp1/Sp3, c-jun and Stat3 cannot solely explain the total extinction
20 of vimentin expression in differentiated cells. Several studies [104,107–109] have revealed that **PS**, one
21 of the two silencer elements (**PS** and **DS**) present in the vimentin promoter (**Figure 1**), is able to bind
22 ZBP-89, a zinc finger transcription factor from the Kruppel-like family, and repress known target genes.
23 Both ZBP-89 and its homolog ZBP-99 can inhibit the role of Sp1 in activating the vimentin promoter.
24 This is made possible through an interaction with Sp1 that blocks its ability to form the necessary
25 interaction with the transcriptional machinery responsible for vimentin promoter activation. This
26 repressing factor can compete with Sp1 for the binding of the transcription factor hTAFIII30, which
27 belongs to the basal transcriptional complex [109]. Overexpression of hTAFIII30 is capable of reversing
28 the repression caused by ZBP-89 on the vimentin promoter, suggesting that ZBP-89 represses Sp1
29 through an interference of the required Sp1 and hTAFIII30 interaction. In addition, ZBP-89 functions
30 as an adaptor by recruiting histone deacetylase 1 to the vimentin promoter. By modifying the acetylation
31 status of core histones and altering the local chromatin structure, histone deacetylases have an influential
32 role in repressing target gene expression [108]. Treatment of Trichostatin A, a histone deacetylase
33 inhibitor, can relieve the repression effects of both ZBP-89 and histone deacetylase 1. It has been
34 reported that ZBP-89 contributes to the down-regulation of the vimentin gene during myogenesis [110].
35 Additionally, it has been observed that H4TF1 (-642/-617), the histone 4 transcription factor 1 and a
36 105-kDa unknown factor binding to NE2 (-616/-589) are involved in the down-regulation of vimentin
37 gene expression during skeletal muscle differentiation, close to the distal silencing element (**DS**)
38 [84,103,105,110].
39
40
41
42
43
44
45
46
47
48
49
50
51
52
53
54

55 **2.4. Regulation of vimentin in cancer and epithelial to mesenchymal transition (EMT)**

56 Vimentin IF proteins have been involved in several aspects of cancer initiation and progression,
57 including tumorigenesis, EMT and the metastasis. EMT is characterized by the loss of cell polarity and
58
59
60
61
62
63
64
65

1 cell-to-cell interactions, modulation of cell-matrix adhesion as well as enhanced proteolytic activity such
2 as extracellular matrix degradation, cytoskeletal reorganization and enhancement of cell motility [111].
3 During EMT, epithelial cells progressively lose their epithelial characteristics, including E-cadherin
4 down-regulation, while concurrently acquiring mesenchymal markers, such as vimentin, fibronectin and
5 alpha smooth muscle actin. Vimentin is activated during the EMT process whilst cytokeratin is down-
6 regulated and/or replaced by a different isoform. Additionally, increased vimentin expression has been
7 observed within several tumor cell lines and tissues including prostate cancer, breast cancer, endometrial
8 cancer, tumors of the central nervous system, malignant melanoma, and gastrointestinal tract tumors
9 that include pancreatic, colorectal, and hepatic cancers (for review see [7,26]).
10

11 The expression of vimentin in cancer cells and during EMT depends on the interaction of the vimentin
12 promoter with transcription factors. These include positive-acting factors such as AP-1 [112], NF- κ B
13 [113,114], PEA3 [102], as well as negative or anti-negative factors such as ZBP-89 [115], ASE and
14 Stat3 [106]. In addition, the expression of vimentin could most likely be indirectly regulated by the beta-
15 catenin/Smad/ZEB2/SIP1 pathway during EMT in association with breast tumor cell migration [116].
16

17 **2.5. Regulation of vimentin in viral infection**

18 Vimentin expression is quickly induced in response to viral infection [90,91,117–119]. It has been
19 reported that infection of the retrovirus HTLV-I directly causes the development of adult T-cell
20 leukemia. Mechanistically, the Tax oncoprotein of HTLV-1 promotes T-cell transformation through the
21 constitutive activation of the NF- κ B transcription factor. In particular, Tax activates the expression of
22 the vimentin gene through an NF- κ B sequence situated in the upstream region of the gene [90,91]. A
23 pronounced disruption of both vimentin and cytokeratin networks was observed in HeLa epithelial
24 cellular clones stably transfected with the Tax sequence. The disruption resulted in remarkable
25 morphological alterations with vimentin filaments concentrated in discrete spots throughout the
26 cytoplasm, and cytokeratin filaments forming a dense ring around the nucleus [120]. Human T cell lines
27 chronically infected with HTLV-I are known to secrete high levels of cytokines TNF α , IL1 α and IL6.
28 TNF α activates NF- κ B, which subsequently produces cytoskeletal changes and increases vimentin
29 expression. This increased vimentin expression could work in an autocrine (positive feedback loop) as
30 well as in a paracrine fashion. Whether NF- κ B is also involved in the upregulation of vimentin induced
31 by viral infections remains an unanswered question to investigate.
32

33 **2.6. Epigenetic regulation of vimentin expression**

34 The regulation of vimentin expression could be complex. It has been previously reported that the
35 suppression of vimentin expression by ras transformation in mammary epithelial cell lines and the relief
36 of this suppression by TGF β is probably not controlled by the well-characterized proximal promoter and
37 rather through sequences in the first or second intron [121]. In addition, vimentin expression is also
38 regulated epigenetically. DNA methylation is an immensely significant epigenetic mechanism largely
39

involved in the gene regulation and silencing of cancer cells. The correlation between vimentin DNA methylation and subsequent vimentin levels in solid tumors, including colorectal, cervical, pancreatic and gastric cancer has been documented [122–125]. Cong et al. have demonstrated that the methylation levels of the vimentin promoter are inversely correlated with vimentin levels in gastric cancer. Furthermore, the treatment of cells comprising the high methylation level of the vimentin gene with an inhibitor of DNA methylation, 5-aza-2'-deoxycytidine, restores vimentin expression significantly [123]. Similarly, hypermethylation of the vimentin promoter in cervical cancer cells has been reported to repress vimentin expression [124] whereas, in neuronal progenitor cells, upregulation of vimentin is related to the hypomethylation of its promoter [126].

Histone methylation and chromatin modifications play critical roles in many epigenetic phenomena. Liu et al. have described the recruitment of lysine-specific demethylase 1 (LSD1), a nuclear histone demethylase and a member of the amine oxidase family, to the vimentin promoter and its role in catalyzing the demethylation of mono- and di-methylated histone H3 lysine 4 (H3K4me1, H3K4me2, respectively) in human papillomavirus 16 E7-induced EMT [127]. The authors demonstrate that human papillomavirus 16 E7 increased the expression of LSD1, formed a complex with LSD1 and induced the expression of vimentin which is correlated in various epithelial cancers with tumor growth, invasion, and poor prognosis. Pharmacological inhibition of LSD1 through the use of a specific small molecule inhibitor, GSK-LSD1, decreased vimentin expression in osteosarcoma cells [128]. Gupta et al. have also shown that histone H3 phosphorylation in high glucose conditions is associated with the hypomethylation of the vimentin gene and its upregulation in breast cancer cells [129]. The loss of BRG1, a key subunit of the SWI/SNF chromatin remodeling complex, is associated with the up-regulation of vimentin in primary tumors [130]. The expression of vimentin is also indirectly regulated by the enhancer of zeste homolog 2 (EZH2), a methyltransferase, and the core catalytic subunit of polycomb repressive complex 2. EZH2 represses ephrin type-B receptor 3 (EphB3) expression via lysine 27 residues of histone H3 trimethylation (H3K27me3) modification in gastric cancer cells [131]. Decreased EphB3 expression promoted the expression of vimentin.

MicroRNAs (miR) are epigenetic modulators involved in different diseases and are responsible for affecting the protein levels of target mRNAs. It has been documented that the expression of vimentin is regulated by several miRs such as miR-146b [132], miR-146a [133], miR-143 [134], miR-210-3p [135], miR-30a [136], miR-1275 [137], and miR-17-5p [138]. For example, miR-210-3p promotes the sustained activation of NF- κ B signaling via targeting TNF α induced protein 3 interacting protein 1 (TNIP1) as well as a suppressor of cytokine signaling protein 1 (SOCS1), both being two negative regulators of NF- κ B signaling, resulting in EMT and migration of prostate cancer cell lines [135].

Long non-coding RNAs (lncRNAs) can act as key cis- or trans-regulators in a variety of biological processes. Mutations in lncRNAs are associated to the development of several diseases, especially cancers and neurodegenerative disorders [139]. However, the functions and molecular mechanisms of

1 most lncRNAs still remain elusive. Interestingly, a lncRNA named vimentin-antisense 1 (VIM-AS1)
2 has been found as being transcribed from the vimentin gene locus and as an regulator of vimentin
3 expression [140]. Additionally, vimentin expression is regulated by another lncRNA called AGAP2-
4 antisense RNA 1 (AGAP2-AS1). The expression of vimentin, VIM-AS1 and AGAP2-AS1 in 78 breast
5 cancer samples were significantly down-regulated compared with non-cancerous tissues [141]. Huang
6 et al. have identified a lncRNA-Dreh that is downregulated by the hepatitis B virus X protein and acts
7 as a tumor suppressor in the development of hepatitis B virus-associated hepatocellular carcinoma [142].
8 The lncRNA-Dreh is capable of binding with vimentin, which was demonstrated by an RNA pull-down
9 experiment, can further repress the expression of vimentin, and possesses the ability to change the
10 normal cytoskeleton structure. The increased expression of Dreh through gene transfer allows the
11 reversal of the malignant phenotype of hepatocellular carcinoma [142]. Another vimentin associated
12 lncRNA, LINC01546, was identified by Tian et al. as being directly induced by Akt/Stat3 signaling in
13 lung adenocarcinoma [143]. LINC01546 acts as a potent pro-metastatic molecule due to its ability to
14 directly bind to vimentin and competitively nullify Trim16-dependent vimentin polyubiquitination and
15 degradation. As a result, targeting LINC01546 or vimentin stability to reduce their levels could be a
16 therapeutic approach for lung adenocarcinoma [143]. Moreover, lncRNA FTX has been shown to
17 directly interact with miR-215 and suppressed miR-215 expression whilst also binding to vimentin,
18 resulting in reduced phosphorylation levels on Ser83 (Ser82 when omitting methionine starting amino
19 acid) of vimentin in colorectal cancer cells. Reduction of lncRNA FTX can inhibit colorectal cancer
20 cells growth and distant metastasis *in vivo* [144]. On the other hand, in gastric cancer cells, lncRNA
21 LINC00675 interacts with vimentin in a manner that enhances its phosphorylation levels on Ser83,
22 resulting in the collapse of vimentin filament and a subsequent reduction in cell metastasis [145].
23
24
25
26
27
28
29
30
31
32
33
34
35
36

37 **3. Post-translational modifications of vimentin**

38
39 Proteomic advances highlight the immense complexity and regulatory potential of IF protein post-
40 translational modifications. Post-translational modifications regulate IF function, structure and
41 localization [4,31]. Most studies of post- translational modifications in IFs concentrate on investigating
42 phosphorylation and its downstream effects. Vimentin is phosphorylated by a variety of kinases,
43 including p21-activated kinase (PAK), cAMP-dependent protein kinase A (PKA), protein kinase C
44 (PKC), Rho-associated protein kinase (ROCK), Calcium/calmodulin-dependent protein kinase II
45 (CaMKII), RAC-alpha serine/threonine-protein kinase (Akt1), polo like kinase 1 (Plk1), mitogen-
46 activated protein kinase-activated protein kinase-2 (MAPKAP-KII), cyclin-dependent kinase 1 (Cdk1),
47 cyclin-dependent kinase 5 (Cdk5) and Aurora B. Main phosphorylation sites on the vimentin molecule
48 are summarized in **Table 1** and **Figure 2**. It should be noted that the large majority of phosphorylation
49 studies were evenly performed on murine and human vimentin whereas other studies employed rat and
50 dog cells. Fortunately, protein sequence alignment showed that almost all sites of PMT were conserved
51 among all the species studied (human, green monkey, mouse, rat, hamster, dog, and cow). Among all
52
53
54
55
56
57
58
59
60
61
62
63
64
65

PMT sites, only three serine were lost in cow sequences, two in hamster, and one in pig. With regards to the two main species used in the studies (human and mouse), all PMT sites were perfectly conserved. Phosphorylation of vimentin plays an impactful role in vimentin dynamics during mitosis. Mitotic-associated phosphorylation of vimentin causes filament disassembly through the phosphorylation of Ser55 by Cdk1 [146,147], Ser82 by Plk1 [147], Ser71 and Ser38 by ROCK [148], and Ser72 by Aurora B [149]. Additional kinases also mediate vimentin dynamics, such as PAK and PKA. PAK phosphorylates Ser25, Ser38, Ser50, Ser55, Ser65 and Ser72 of the vimentin N-terminal [150–152] while PKA facilitates the phosphorylation of Ser38 and Ser72 [153]. Phosphorylation of vimentin on these sites impairs the assembly of vimentin filaments. Furthermore, the phosphorylation of vimentin regulates processes underlying cell motility in physiological conditions as well as in pathological conditions, including cancer. Phosphorylation of Ser38 by Akt1 increases cancer cell motility [154], and the phosphorylation of Ser6 and Ser33 by PKC is associated with the trafficking of integrin to the plasma membrane through vesicles [155]. Interestingly, vimentin phosphorylation does not always impair its assembly. None of the following phosphorylations of Ser38, Ser50, Ser55 and Ser82 by MAPKAP-KII affects vimentin assembly [156], suggesting that vimentin can serve as a phosphate sink. In addition, PKA- and Cdk5-mediated phosphorylation is involved in the secretion of vimentin. The secreted vimentin dimer is modified by PKA-mediated phosphorylation of Ser418, Ser429, Thr457 and Ser458 [153,157], while the secretion of vimentin in neutrophils is associated with the phosphorylation of Ser56 (Ser55 when omitting methionine starting amino acid) by Cdk5 [158].

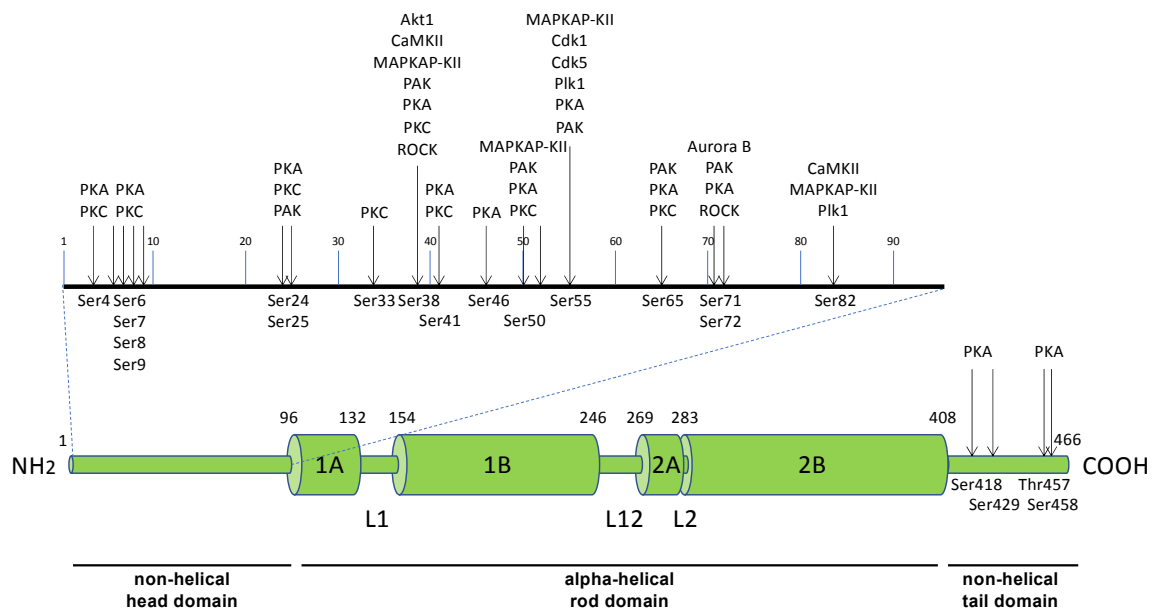


Figure 2. Main phosphorylation sites described in the vimentin molecule, classified according to their position. Vimentin is formed by a non-helical head (amino acid position from 1 to 95), a central alpha-helical rod (coil 1A, coil 1B, coil 2A and coil 2B) divided by linkers (L1, L12 and L2) (amino acid position from 96 to 407) and a non-helical tail (amino acid position from 408 to 466) domain.

Table 1. Main phosphorylation sites described in the vimentin molecule, classified according to the kinase involved.

Position	Kinases	Ref
Ser4, Ser6, Ser7, Ser8, Ser9	PKA, PKC	[153,155,159]
Ser24	PKA, PKC	[159]
Ser25	PAK, PKC	[150,159]
Ser33	PKC	[148,159]
Ser38	CaMKII, MAPKAP-KII, PAK, PKA, PKC, ROCK	[148,150,153,155,156,159,160]
Ser39*	Akt1	[154]
Ser41	PKA, PKC	[153,159]
Ser46	PKA	[159]
Ser50	MAPKAP-KII, PAK, PKA, PKC	[150,156,159,161]
Ser55	MAPKAP-KII, Cdk1, Plk1, PKA	[146,147,156,157]
Ser56*	Cdk5, PAK	[151,152,158]
Ser65	PAK, PKA, PKC	[150,159]
Ser71	PKA, ROCK	[148,153,161]
Ser72	Aurora B, PAK, PKA	[149,150,153,161]
Ser82	CaMKII, MAPKAP-KII, Plk1	[147,156,160,162]
Ser418, Ser429, Thr457, Ser458	PKA	[153,157]

*Numbering omits methionine starting amino acid. Note that in some papers methionine is counted as a first amino acid (see *). Ser39 and Ser56 are the same amino acid as Ser38 and Ser55, respectively. Akt1, RAC-alpha serine/threonine-protein kinase; CaMKII, Calcium/calmodulin-dependent protein kinase II; Cdk1, cyclin-dependent kinase 1; Cdk5, cyclin-dependent kinase 5; MAPKAP-KII, mitogen-activated protein kinase-activated protein kinase-2; PAK, p21-activated kinase; PKA, cAMP-dependent protein kinase A; PKC, protein kinase C; Plk-1, polo like kinase 1; ROCK, Rho-associated protein kinase.*

In addition to the phosphorylation of vimentin, the citrullination [163,164], ADP-ribosylation [165], AMPylation [166], glycosylation as well as O-GlcNAcylation [167,168], glycation [169], S-glutathionylation [170], sialylation [171], sumoylation [172], ubiquitination [173] and malondialdehyde adducts [174] of vimentin have been identified (**Table 2**). Citrullination is characterized as an important modification of extracellular vimentin. It takes places in both physiological and pathological conditions [175]. This enzymatic modification is catalyzed by peptidyl arginine deiminases, which convert arginine within a specific protein to citrulline within another protein. The immune system may attack citrullinated proteins, resulting in the development of autoimmune diseases such as rheumatoid arthritis and multiple sclerosis. Citrullination turns vimentin into an antigen in rheumatoid arthritis [176] as well as an antigen

for anti-tumor immunity [177]. In addition, citrullinated vimentin is implicated in the development and progression of lung fibrosis [178], retinal injury [179], dendritic cell transdifferentiation into osteoclasts [180] and neurodegenerative diseases [181]. SUMOylation of vimentin is important for its disassembly. Non-SUMOylatable vimentin mutants expressed in cells possess a reduced level of migration [172]. ADP-ribosylation of vimentin by bacterial SpyA is identified *in vitro* and ADP-ribosylation of head domain Arg residues results in the inhibition of vimentin filament formation [165]. Glycosylation of the vimentin head domain is required for vimentin filament assembly, cell migration and intracellular pathogen replication [167]. S-glutathionylation plays a role in the dynamic rearrangements of vimentin IF in response to changes in cellular redox status. The longitudinal assembly of unit-length filaments into extended filaments is inhibited by the S-glutathionylation of Cys328 on vimentin. However, S-glutathionylation of preformed vimentin filaments leads to their fragmentation to smaller oligomeric species [170]. Lysine residues exhibited predominant vimentin glycation, specifically at linker regions [169]. Vimentin glycation causes its rigorous redistribution into a perinuclear aggresome. The modified vimentin by glycation and the oxidative adduct malondialdehyde can be found in aged or replicative senescent fibroblasts [169,174,182]. Recently, RING finger protein 208 (RNF208), an estrogen-inducible E3 ligase, has been shown to target soluble vimentin to facilitate proteasomal degradation of vimentin in breast cancer cells. RNF208 specifically polyubiquitinated the Lys97 residue through interaction with the Ser39 (Ser38 when omitting methionine starting amino acid) residue of phosphorylated vimentin, which exists as a soluble form [173].

Table 2. Main post-translational modifications of the vimentin protein, apart from phosphorylation. The types of modifications are indicated with their position in the molecule.

Type	Position	Ref
Citrullination	Arg3, Arg11, Arg12, Arg22, Arg27, Arg44, Arg49, Arg63, Arg144, Arg380	[163,164]
ADP-ribosylation	Arg44, Arg49, Arg63, Arg303, Arg449	[165]
AMPylation	Tyr52	[166]
Glycosylation	Thr33*, Ser34*, Ser39*, Ser49*, Ser55*	[167,168]
Glycation	Lys139*, Lys143*, Lys168*, Lys262*, Lys313*, Lys445*	[169]
S-Glutathionylation	Cys328*	[170]
Sialylation	Ser7*, Thr33*, Ser34*	[171]
Sumoylation	Lys439*, Lys445*	[172]
Ubiquitination	Lys97*	[173]
Malondialdehyde adducts	Cys328*	[174]

*Numbering omits methionine starting amino acid. Note that in some papers methionine is counted as a first amino acid (see *).*

4. Vimentin is present on the cell surface

4.1. Non-convention localization: cell surface / extracellular vimentin

Vimentin was originally identified as an intracellular IF protein in many cell types. Immunofluorescence staining and ultrastructural studies investigating the intracellular distribution of IFs have demonstrated the proximity of these cytoskeletal structures to plasma membranes. It has been revealed that non-helical N-terminus vimentin interacts specifically with negatively charged phospholipids, in addition to forming strong ionic relationships between both reactants [183]. At the intracellular surface of the plasma membrane the vimentin IF network is capable of connecting to integrins through its interactions with synemin and vinculin or through plectin, and modulates the adhesion strength of cells to their substrate [54,184].

The non-intracellular distribution of vimentin has been reported from over two decades ago. In 1993, through the use of monoclonal antibodies, Evans et al. [185] identified a vimentin-like associated molecule on rat natural killer cells by monoclonal antibody MoAb 5C6 and demonstrated the ability of this protein to function as a receptor since the anti-vimentin monoclonal antibody can inhibit cytotoxicity. Ten years later, the notion indicating the presence of extracellular vimentin gained extensive support through novel experiments. For example, vimentin has been identified as one of the 19 major detergent-resistant membrane skeleton proteins mediating neutrophil signaling [186] and as the major binding protein of secreted phospholipases A2 that are found at high levels in inflammatory fluids of patients with autoimmune diseases. In conjunction with heparan sulfate proteoglycans, vimentin contributes to the enhanced binding of secreted phospholipases A2 to apoptotic primary T lymphocytes [187]. Vimentin was further identified at the surface of plasma membranes or secreted into the extracellular environment by various antibodies.

4.2. Vimentin was identified at the surface of plasma membranes by various antibodies

The presence of cell surface vimentin has been demonstrated using different monoclonal antibodies (MoAb) such as MoAb 5C6, MoAb SC5, MoAb 7G10, MoAb 84-1, MoAb 86C, MoAb 9H4 and MoAb PAL-E. It has been detected on the surface of several different cell types, including endothelial cells, activated macrophages and lymphocytes, natural killer cells, platelets, apoptotic neutrophils, senescent cells, Sezary lymphocytes and different cancer cells. The presence of cell surface vimentin in these diverse cells raises the question regarding the role of this form of vimentin and its potential involvement in cytotoxicity, phagocytosis, immunity, senescent cell clearance as well as in viral infection as a possible co-receptor for viruses. In fact, anti-vimentin auto-antibodies were first identified during the 1980s in patients with Waldenström macroglobulinemia complicated with peripheral neuropathy [188,189], patients with angioimmunoblastic lymphadenopathy [190], and patients with the CREST Syndrome and systemic lupus erythematosus [191]. The ability of these auto-antibodies to recognize cell surface vimentin was not been tested at that time.

1 **MoAb 5C6.** MoAb 5C6 specifically binds to fish, rat and human natural killer cells and inhibits
2 cytotoxicity. Evidence is presented indicating the presence of a vimentin protein on transformed rat
3 natural killer cells that may act as an antigen binding receptor to initiate target cell lysis [185].
4

5 **MoAb SC5.** MoAb SC5 specifically recognizes vimentin on the extracellular plasma membrane of
6 circulating malignant Sezary lymphocytes in Sezary syndrome, a leukemic form of an epidermotropic
7 cutaneous lymphoma [192]. The MoAb SC5 recognition site is located in the N-terminal and the
8 beginning of the coil-coil rod domain. The SC5 detects vimentin both in the cytoplasm of circulating
9 lymphocytes as well as at the cell surface of normal T lymphocytes following activation, suggesting that
10 vimentin might correspond to an intracellular protein in normal T lymphocytes and that its surface
11 membrane expression increases rapidly after activation [193,194]. Vimentin was found on the cell
12 surface of apoptotic neutrophils, conveying the possibility that such cells may contribute to the
13 development of auto-antibodies directed against cytoskeletal proteins. This condition is commonly
14 observed in several inflammatory diseases [195]. Furthermore, the extracellular form of vimentin on the
15 cell surface of apoptotic neutrophils is cleaved by membrane-type matrix metalloproteinase 6, therefore
16 abolishing monocyte recruitment but stimulating phagocytosis, which is not a property of full-length
17 vimentin. As a result, membrane-type matrix metalloproteinase 6 regulates neutrophil and monocyte
18 chemotaxis, and through generating “eat-me” signals upon vimentin cleavage, potentially increases
19 phagocytic removal of neutrophils to resolve inflammation [196]. Through the use of two MoAbs,
20 MoAb SC5 and MoAb V9 directed against the beginning of coil-coil rod and the C-terminus of the
21 vimentin protein, respectively, Steinmetz et al. demonstrated that these two domains of vimentin have
22 been detected on the surface of several different prostate cancer cell lines LNCaP, PC3 and DU145
23 derived from lymph node, bone or brain prostate metastases, respectively [197].
24
25
26
27
28
29
30
31
32
33
34
35
36

37 **MoAb 7G10.** MoAb 7G10 detects vimentin both on the surface and in the intracellular region of MARC-
38 145 cells, a porcine reproductive and respiratory syndrome virus-susceptible cell line. This antibody
39 possesses blocking activity against porcine reproductive and respiratory syndrome virus. Vimentin
40 bound to porcine reproductive and respiratory syndrome virus nucleocapsid protein and anti-vimentin
41 antibodies showed blocking activity against this virus, suggesting that vimentin is part of the porcine
42 reproductive and respiratory syndrome virus receptor complex [198].
43
44
45
46
47

48 **MoAb 84-1.** The anti-vimentin MoAb 84-1 reacts specifically with cell surface vimentin. This antibody
49 is used to isolate circulating tumor cells. Through the use of MoAb 84-1, cell-surface vimentin was
50 detected in circulating tumor cells of peripheral blood samples collected from metastatic breast [199],
51 colorectal and prostate [200,201] cancer patients as well as from pancreatic ductal adenocarcinoma
52 [202]. Furthermore, through the use of MoAb 84-1, cell-surface vimentin-positive and CD133-negative
53 cells were isolated from primary liver tumor cell suspensions [203]. These cells have stem-like
54 properties with the presence of stem cell markers Sox2 and Oct4 as well as EMT phenotypes, proven by
55 the presence of Twist and Slug in the nucleus. In contrast, cell-surface vimentin-negative and CD133-
56
57
58
59
60
61
62
63
64
65

positive cell populations do not have any EMT phenotypes.

1
2 **MoAb 86C.** This antibody acts against cell surface vimentin in a manner that simultaneously induces
3 apoptosis and inhibits spheroid formation in glioblastoma cells *in vitro*. The presence of this antibody
4 in glioblastoma cells causes the rapid internalization of vimentin, which negatively impacts glioblastoma
5 cell viability. This phenotype is characterized by an increase in caspase-3 activity, signifying the
6 apoptosis activation [204].
7
8
9

10
11 **MoAb 9H4.** The anti-vimentin MoAb, the IgM clone MoAb 9H4, recognizes senescence-associated
12 cell-surface antigens after immunizing BALB/c mice with senescent mouse lung fibroblasts. This
13 antibody recognizes vimentin having a post-translational modification on cysteine 328 by the oxidative
14 adduct malondialdehyde. Senescent cells identify and secrete an oxidized form of membrane-bound
15 vimentin, and such cells may be recognized by humoral innate immunity due to the presence of
16 membrane-bound malondialdehyde-vimentin. This latter form of vimentin presumably contributes to
17 senescence eradication mechanism, which occasionally becomes impaired with age and leads to
18 senescent cell accumulation [174].
19
20
21
22
23

24
25 **MoAb PAL-E.** The MoAb PAL-E reacts specifically to a secreted form of vimentin from blood
26 endothelial cells and activated macrophages. The PAL-E antibody was identified almost 35 years ago
27 through the injection of human melanoma lymph node metastases into mice [205]. The MoAb PAL-E
28 was suggested to be one of the first molecular markers that distinguishes blood and lymphatic
29 endothelial cells, but it was only in 2004 that Xu et al. [206] identified the PAL-E-recognized protein as
30 a secreted form of vimentin using protein purification and mass spectrometry analysis of tryptic
31 peptides.
32
33
34
35
36

37 **4.3. Vimentin can be secreted or released into the extracellular space**

38
39 The presence of extracellular vimentin has been demonstrated by a monoclonal antibody MoAb 5C6
40 [185]. Evans et al. demonstrated that a specific vimentin protein present on transformed rat natural killer
41 cells can be an antigen binding receptor that is responsible for initiating lysis of target cells. Through
42 the application of an anti-vimentin antibody on non-permeabilized activated human macrophages, Mor-
43 Vaknin et al. found that these cells secrete vimentin into the extracellular space via the classical
44 endoplasmic reticulum/Golgi pathway [207]. In order to be secreted in active macrophages, vimentin
45 must first undergo phosphorylation, as demonstrated by both the enhancement of vimentin secretion
46 through the treatment with the phosphatase inhibitor okadaic acid and decreased secretion of vimentin
47 by the treatment of the specific PKC inhibitor. This observation is consistent with the fact that vimentin
48 is a substrate for PKC. Furthermore, the anti-inflammatory cytokine interleukin-10 decreases secretion
49 of vimentin by inhibiting PKC activity. In contrast, the pro-inflammatory cytokine TNF α can trigger the
50 secretion of vimentin. Extracellular vimentin has been suggested to be involved in two significant
51 functions of activated macrophages: bacterial killing and the generation of oxidative metabolites [207].
52
53
54
55
56
57
58
59
60
61
62
63
64
65

1 In response to pro-inflammatory signaling pathways, activated macrophages secrete vimentin that might
2 interact with bacteria and soluble factors that favor bacterial killing. Vimentin is also secreted by
3 astrocytes [208,209]. Furthermore, it has been reported that vimentin is required for efficient Type III
4 secretion system translocation of effectors by *Shigella flexneri* and other pathogens that use the Type
5 III secretion system; namely, *Salmonella Typhimurium* and *Yersinia pseudotuberculosis* [210].
6
7

8 As described above, an endothelial cell-specific antibody MoAb PAL-E [206] identifies a secreted form
9 of vimentin on the cell surface of specific blood endothelial cells and activated macrophages. PAL-E-
10 positive vimentin is not a direct product of an endothelial cell-specific mRNA transcript, but rather is
11 the result of cell-specific post-translational modification. Evidence directly favors PAL-E recognition
12 of a secreted vimentin dimer that is further modified by phosphorylation. The N-terminal domain of
13 vimentin has been shown to mediate the association with lipid membranes and may further facilitate its
14 secretion through association with the endoplasmic reticulum. In addition, the C-terminal of vimentin
15 contains a di-acidic motif (Asp-X-Glu) utilized by certain proteins for export from the endoplasmic
16 reticulum to the Golgi, but the functional significance of these sequences for vimentin secretion is still
17 unknown.
18
19
20
21
22
23
24
25

26 It has been reported that extracellular vimentin can function as a ligand of insulin-like growth factor 1
27 receptor and promotes axonal growth by activating the phosphorylation of insulin-like growth factor 1
28 receptor. End of the rod domain (residue number 330-407) in vimentin are the most suitable binding
29 sites for insulin-like growth factor 1 receptor [211]. Moreover, secretion of citrullinated vimentin is not
30 only an early marker of autoimmune diseases such as rheumatoid arthritis [176,212,213] but also of an
31 antigen for anti-tumor immunity [177]. In addition, citrullinated vimentin is implicated in the
32 development and progression of lung fibrosis [178], retinal injury [179], and neurodegenerative diseases
33 [181].
34
35
36
37
38
39

40 Yu et al. have shown that extracellular vimentin influences the initiation of adaptive immune responses
41 by modulating activation of human dendritic cells, the most effective for priming of naïve T cells.
42 Extracellular vimentin may block the adaptive immune response by decreasing lipopolysaccharide-
43 induced secretion of pro-inflammatory cytokines whilst also promoting the secretion of anti-
44 inflammatory cytokines in dendritic cells [214].
45
46
47
48

49 Vimentin can be secreted in extracellular vesicles, including exosomes, found in bodily fluids that play
50 a pivotal role in regulating cell-cell communication and several diverse biological processes [215–217].
51 Soluble vimentin was detected at higher levels in the sera of colon cancer patients, suggesting that
52 vimentin might be a potential biomarker in colon cancers and an antigen for tumor vaccination in an
53 autologous set-up for colon cancers [218]. Mellgren et al. has reported that the externalization of certain
54 proteins can occur in cells suffering plasma membrane damage and subsequent repair. Several major
55 proteins (caldesmon-1 and vimentin), endoplasmic reticulum proteins (ERp57, ERp5, and HSP47), and
56
57
58
59
60
61
62
63
64
65

1 nuclear proteins (lamin C, heterogeneous nuclear ribonucleoprotein F, and nucleophosmin-1) were
2 exposed to cell surfaces damaged by scratching. Following this exposure, they either undergo
3 degradation or internalization a few seconds to several minutes after damage. However, vimentin was
4 an exception to this phenomenon as it was detectable on the cell surface for at least an hour after injury
5 [219]. Furthermore, Walker et al. have reported that vimentin, released into the extracellular space
6 following injury, binds to the cell surface of the mesenchymal leader cells located at the edge of the
7 wound. This extracellular and cell surface-associated vimentin mediates wound closure in the native
8 matrix environment and plays a role in transitioning these cells to a myofibroblast phenotype in
9 profibrotic environments [220]. Adolf et al. have demonstrated that exosomal vimentin positive particles
10 released from astrocytes mediate binding and internalization of Clostridium botulinum C3 transferase
11 in astrocytes and neurons, and promote axonotrophic effects of Clostridium botulinum C3 after spinal
12 cord injury [221].

20 **5. Vimentin serves as a receptor or ligand**

21 The fact that vimentin was found to be located on the cell surface of the cell raises the question of cell
22 surface vimentin's role. The data from various experiments suggest that cell surface vimentin could
23 serve as a receptor/co-receptor or ligand for endogenous proteins such as von Willebrand factor (vWF)
24 as well as for exogenous proteins such as bacterial and viral proteins.

29 **5.1. Vimentin on platelets and endothelial cells serves as an adhesive receptor for Willebrand 30 factor (vWF)**

31 The interaction between platelet receptor glycoprotein Iba and vWF facilitates the
32 tethering/translocation of platelets to sites of vascular injury. Vimentin is present on the extracellular
33 surface of platelets and endothelial cells. The interaction of vimentin with the A2 domain of active vWF
34 has been demonstrated through the use of the competitive A2 domain of vWF and an anti-vimentin
35 antibody [222]. The addition of purified A2 domain inhibits the binding between the active form of vWF
36 and vimentin, whereas an anti-vimentin antibody inhibits the platelet adhesion to wild-type vWF
37 (containing A1-A2-A3 domains) protein, collagen, and fibrinogen under high shear stress. In
38 comparison to wild-type mice, platelets from vimentin knock-out mice were characterized by reduced
39 flow-dependent adhesion to both collagen and purified murine vWF under shear stress [222]. This is
40 consistent with the observation that tail bleeding time in vimentin knock-out mice was higher than that
41 of wild-type mice [223].

52 **5.2. Vimentin mediates bacterial invasion or killing**

53 It has been shown that the absence of vimentin protects neonatal mice from Escherichia coli K1-induced
54 meningitis [224]. Vimentin is required for meningitic Escherichia coli K1 invasion and
55 polymorphonuclear leucocyte transmigration through the blood-brain barrier. Vimentin constitutes a
56 primary receptor required for the Escherichia Coli K1 IbeA virulence factor [225]. The binding sites of
57
58
59
60
61
62
63
64
65

1 the IbeA-vimentin interaction have been identified in the 271–370 residue region of IbeA and the
2 vimentin head domain [226]. Vimentin is present in lipid rafts of endothelial cells [227]. The binding of
3 IbeA virulence factor to its vimentin receptor and co-receptor PSF (PTB (polypyrimidine tract-binding
4 protein)-associated splicing factor) at the cellular membrane rafts triggers vimentin phosphorylation at
5 Ser82 by CaMKII through $\alpha 7$ nAChR-mediated calcium signaling, nuclear translocation of NF- κ B and
6 ERK signaling, favoring the bacterial invasion [224,225,228]. In addition, cell surface vimentin interacts
7 also with BspC, an antigen I/II family adhesin of *Streptococcus agalactiae* (Group B *Streptococcus*), and
8 is critical for the pathogenesis of Group B *Streptococcus meningitis* [229].
9

10
11
12
13 The internalin family proteins InlF possess a specific role in the colonization of the brain by *Listeria*
14 *monocytogenes*. The binding of InlF to host cell surface vimentin facilitates *Listeria monocytogenes*
15 invasion of host cells. In the absence of vimentin, *Listeria monocytogenes* colonization of the brain was
16 severely compromised in mice, highlighting the importance of surface vimentin in pathogen adhesion
17 and internalization [230]. In addition, surface vimentin is required for stiffness-dependent adhesion of
18 *Listeria monocytogenes* to host cells [231]. Increased activity of focal adhesion kinase (FAK) in host
19 cells, when cultured on a stiffer matrix, is associated with an increase of surface vimentin, favoring the
20 *Listeria monocytogenes* adhesion.
21
22
23
24
25
26

27 Human natural killer cells used the NKp46 receptor to lyse *Mycobacterium tuberculosis* strain H37ra-
28 infected monocytes. Immunoprecipitation of natural killer cells extract with anti-NKp46 antibody
29 identified vimentin as a ligand for the NKp46 receptor on natural killer cells [232]. Immunofluorescence
30 staining indicated the significant upregulation of vimentin expression on the surface of infected
31 monocytes relative to uninfected cells. Anti-vimentin antiserum inhibited natural killer cell lysis of
32 infected monocytes, suggesting involvement of cell surface vimentin in the binding of NKp46 to
33 *Mycobacterium tuberculosis* H37ra-infected mononuclear phagocytes.
34
35
36
37
38
39

40 **5.3. Vimentin serves as a receptor/co-receptor for viruses**

41
42 Vimentin has been identified as an important mediator for the different stages (virus adhesion, entry,
43 replication and release) of viral infection [29,32,119,233]. Vimentin expression is quickly induced in
44 response to viral infection [90,91]. It has been reported that cell surface vimentin is involved in the cell
45 entry of several viruses and vimentin has been proposed as a receptor or co-receptor for viral proteins
46 [234]. Furthermore, it has been shown that cell surface vimentin is critical for the cell entry of SARS-
47 CoV1 [234] and SARS-CoV2 virus-like particles [235]. SARS-CoV1 virus-like particles enhanced the
48 expression of cell surface vimentin [234]. Vimentin has direct contact with SARS-CoV spike proteins
49 [234,235]. Yet, it remains unclear as to which specific domain of vimentin plays the role of interaction
50 with viral spike proteins. Moreover, whether vimentin binds to angiotensin-converting enzyme 2
51 receptor directly or merely arranges in close proximity must be further investigated.
52
53
54
55
56
57
58
59
60
61
62
63
64
65

1 Evidence that viral binding to surface vimentin can facilitate internalization and infections has been
2 demonstrated for other viruses such as Japanese encephalitis virus [236,237], Cowpea mosaic virus
3 [238], Chandipura virus [239], porcine reproductive and respiratory syndrome virus [198], Dengue virus
4 [240] and Enterovirus EV71 [241]. The interaction between Enterovirus EV71 viral envelope protein 1
5 and vimentin has been reported [241]. Either soluble vimentin or an anti-vimentin antibody could inhibit
6 the binding of EV71 to vimentin on the host cell surface [241] or cause a decrease in Chandipura virus
7 infectivity to Neuro-2a cells [239].
8
9
10

11 **5.4. Vimentin serves as a binding site for polysaccharides and RNA**

12 By using artificial biomimicking glycopolymers, Ise et al. have shown that type III IF proteins such as
13 vimentin and desmin possess N-acetylglucosamine (GlcNAc)-binding lectin-like properties on the cell
14 surfaces of various vimentin- and desmin-expressing cells such as cardiomyocytes and vascular smooth
15 muscle cells. The interaction between vimentin and GlcNAc as well as GlcNAcylated proteins is
16 mediated by its alpha-helical rod 2 domain [242]. This GlcNAc-binding activity was used to efficiently
17 isolate mesenchymal stem cells by using GlcNAc-bearing polymer-coated dishes [242], and to deliver
18 genes or drugs to target cell surface vimentin-expressing cells and tissues by using GlcNAc-conjugated
19 agents [243–245]. The GlcNAc-bearing polymer-coated liposomes via intravenous administration
20 delivered drugs into the injured vessel walls but not at the contralateral (uninjured) vessel walls of mice
21 [246]. Since nonparenchymal cells, such as hepatic stellate cells in liver, express vimentin or desmin,
22 and the adhesion of the nonparenchymal cells to GlcNAc-coated dishes take place more quickly than on
23 collagen-coated dishes. They found that GlcNAc can maintain hepatic stellate cells in a quiescent state
24 during a long-term culture [247]. The interaction of surface vimentin with O-GlcNAc-modified proteins
25 has also been considered as a way to be involved in the clearance of apoptotic cells [248]. The O-
26 GlcNAc-modified proteins from apoptotic cells interact with the surface vimentin of neighboring
27 phagocytes to induce the phosphorylation of Ser71- or Ser38 of vimentin by ROCK and PKC, leading
28 to the disassembly of vimentin filaments, and favoring in turn the recruitment of tetrameric vimentin to
29 the cell surface [244,248]. The affinity of vimentin alpha-helical rod 2 domain for lipid bilayers,
30 including transmembrane domains [242,249], could facilitate the migration of tetrameric vimentin from
31 the cytoplasm to the exterior of the membrane. Furthermore, this mechanism for the clearance of
32 apoptotic cells was observed in the phagocytic engulfment and clearance of apoptotic footplate cells in
33 mouse embryo development [248].
34
35
36
37
38
39
40
41
42
43
44
45
46
47
48
49
50

51 Acute inflammation is initiated by leukocyte P-selectin glycoprotein ligand-1 (PSGL-1) binding to P-
52 selectin on inflamed endothelium and platelets. Since GlcNAc is a moiety present in PSGL-1, Lam et
53 al. tested if vimentin binds to PSGL-1 and influences the interplay between platelet P-selectin and
54 PSGL-1 on leukocytes. They have shown that vimentin binds to P-selectin via its rod domain but not
55 PSGL-1 in a calcium-independent way [250,251]. Vimentin binds P-selectin at or near the PSGL-1
56 binding site in order to inhibits P-selectin-PSGL-1 interactions. The recombinant human vimentin
57
58
59
60
61
62
63
64
65

1 blocks neutrophil adhesion to platelets and endothelium under venous shear stress and diminishes
2 inflammation and acute lung injury in endotoxemic mice [250,251].

3
4 In addition, cell surface vimentin seems play an important role in Schwann cell migration and in
5 peripheral nerve regeneration in nerve injury. Vimentin functions as a receptor for the lncRNA
6 BC088259 that is upregulated following sciatic nerve injury. The mechanism underlying the interaction
7 between BC088259 and vimentin remains to be explored [252].
8
9

10 **6. Conclusion and perspectives**

11
12 Multiple functions have been attributed to vimentin at the cellular level, including maintenance of
13 stemness, proliferation, differentiation, adhesion, migration and invasion. Using vimentin knockout
14 mice, it has been shown that the absence of vimentin expression leads to deficiencies in physiological
15 processes, such as mammary gland development, angiogenesis, vascular stiffness, steroidogenesis,
16 immunity response and inflammatory reaction, glial development, myelination of peripheral nerves
17 and wound healing. The expression profile of vimentin is unique in the IF family. It is mainly expressed
18 in precursor cells before being replaced by other IF members during cellular differentiation, with the
19 exception of its co-presence with other IF members in some mesenchymal-derived cells such as
20 endothelial cells, smooth muscle cells and platelets in adult animals. The remarkable feature of vimentin
21 is its re-expression during dedifferentiation processes and pathological conditions, such as EMT,
22 cancerous progression, pathogen infection as well as in most cells in cell culture. The activation,
23 modulation or repression of vimentin expression is controlled both at the promoter level, a promoter
24 with a set of activating and inhibiting elements such as the regulating sites of NF- κ B, AP-1, Sp1, Sp3,
25 PEA3, H4TF1, ZBP-89, ZBP-99, Stat1 α and Stat3, and either directly or indirectly at the epigenetic
26 level, such as through DNA and histone methylation, chromatin modifications, miR and lncRNAs.
27 Moreover, proteomic advancements highlight the vast complexity and regulatory potential of PTMs,
28 which are involved in extracellular localization of vimentin and exert specific functions in cells and
29 tissues. Uncovering a deeper understanding of regulatory mechanisms of vimentin expression will be
30 valuable in creating strategies to modulate the intracellular and extracellular vimentin levels, and
31 ultimately develop biotherapies for disease treatment.
32
33
34
35
36
37
38
39
40
41
42
43
44
45
46

47 It has been suggested that the vimentin possesses both mechanical and non-mechanical function in
48 filamentous or non-filamentous forms (for review see) [29]. In addition to intracellular vimentin, the
49 presence of extracellular vimentin on the cell surface or in the extracellular environment has been
50 involved in many physiological and pathological processes, such as the clearance of apoptotic footplate
51 cells in mouse embryo development, cancer and traumatic tissue injury, bacterial or viral infection,
52 rheumatoid arthritis, multiple sclerosis, aging and senescence, innate and adaptive immune responses
53 and thrombosis. The functions of extracellular/cell surface vimentin in these processes and underlying
54 mechanisms are still to be explored. Extracellular/cell surface vimentin could be a novel therapeutic
55
56
57
58
59
60
61
62
63
64
65

1 target for several diseases or could be used as an approach for drug delivery via targeting cell surface
2 vimentin.

3
4 Most data are concerned with the involvement of extracellular/cell surface vimentin in pathological
5 conditions, giving the impression that extracellular vimentin is a marker of diseases or a consequence
6 in response to the development of diseases, while its implication in physiological conditions is not
7 generally investigated. This could be linked to the availability of antibodies capable of solely
8 recognizing extracellular vimentin and the fact that higher levels of intracellular vimentin than that of
9 extracellular vimentin could hinder the study of the latter. Many studies focus on vimentin knock-out
10 mice in order to clarify the role of extracellular vimentin in the pathogenesis of diverse diseases. It would
11 be interesting and useful to investigate the role of vimentin in the conditional tissue or cell-specific
12 knock-out mouse model to avoid the adaptation effect and mutual influence between tissues. Although
13 it has been suggested that changes from filament to non-filamentous structure, mostly including only 4-
14 12-mers, are needed to expose vimentin to the cell surface [253], the mechanisms implicated in the cell
15 surface recruitment or secretion remains elusive. Are there different forms of extracellular vimentin and
16 does each possess a specific function? What type of PTM (such as citrullination, oxidation,
17 glycosylation, O-GlcNAcylation, phosphorylation etc.) or proteinase digestion is required for the
18 extracellular localization of vimentin? Are certain PTMs specific to particular pathologies? What are
19 the signaling pathways induced by extracellular vimentin? These questions are significant areas of
20 investigation for future studies.
21
22
23
24
25
26
27
28
29
30
31
32
33
34

35 **Contributors**

36
37 DP, AL, SK, OA and ZL developed the idea, wrote the draft and are the guarantors of the article jointly.
38
39
40

41 **Acknowledgements**

42
43 The authors are grateful to Dr Sarkis Serge Femandjian for helpful advice.
44
45
46
47

48 **Fundings**

49
50 This research was partly supported by Sorbonne Université, INSERM, CNRS. ZL and OA are supported
51 by the AFM-Téléthon (contract numbers: 21833 and 22142).
52
53
54
55

56 **Conflicts of Interest**

57
58 None.
59
60
61
62
63
64
65

References

- [1] S. Etienne-Manneville, Cytoplasmic Intermediate Filaments in Cell Biology, *Annu. Rev. Cell Dev. Biol.* 34 (2018) 1–28. <https://doi.org/10.1146/annurev-cellbio-100617-062534>.
- [2] H. Herrmann, U. Aebi, Intermediate Filaments: Structure and Assembly, *Cold Spring Harb. Perspect. Biol.* 8 (2016). <https://doi.org/10.1101/cshperspect.a018242>.
- [3] E.M. Hol, Y. Capetanaki, Type III Intermediate Filaments Desmin, Glial Fibrillary Acidic Protein (GFAP), Vimentin, and Peripherin, *Cold Spring Harb. Perspect. Biol.* 9 (2017) a021642. <https://doi.org/10.1101/cshperspect.a021642>.
- [4] J. Lowery, E.R. Kuczmarski, H. Herrmann, R.D. Goldman, Intermediate Filaments Play a Pivotal Role in Regulating Cell Architecture and Function, *J. Biol. Chem.* 290 (2015) 17145–17153. <https://doi.org/10.1074/jbc.R115.640359>.
- [5] P. Duprey, D. Paulin, What can be learned from intermediate filament gene regulation in the mouse embryo, *Int. J. Dev. Biol.* 39 (1995) 443–457.
- [6] J. Yang, R.A. Weinberg, Epithelial-mesenchymal transition: at the crossroads of development and tumor metastasis, *Dev. Cell.* 14 (2008) 818–829. <https://doi.org/10.1016/j.devcel.2008.05.009>.
- [7] K. Strouhalova, M. Přečková, A. Gandalovičová, J. Brábek, M. Gregor, D. Rosel, Vimentin Intermediate Filaments as Potential Target for Cancer Treatment, *Cancers.* 12 (2020). <https://doi.org/10.3390/cancers12010184>.
- [8] H. Baribault, J. Price, K. Miyai, R.G. Oshima, Mid-gestational lethality in mice lacking keratin 8, *Genes Dev.* 7 (1993) 1191–1202. <https://doi.org/10.1101/gad.7.7a.1191>.
- [9] J.C. Chisholm, E. Houlston, Cytokeratin filament assembly in the preimplantation mouse embryo, *Dev. Camb. Engl.* 101 (1987) 565–582.
- [10] P. Duprey, D. Morello, M. Vasseur, C. Babinet, H. Condamine, P. Brûlet, F. Jacob, Expression of the cytokeratin endo A gene during early mouse embryogenesis, *Proc. Natl. Acad. Sci. U. S. A.* 82 (1985) 8535–8539. <https://doi.org/10.1073/pnas.82.24.8535>.
- [11] P. Cochard, D. Paulin, Initial expression of neurofilaments and vimentin in the central and peripheral nervous system of the mouse embryo in vivo, *J. Neurosci. Off. J. Soc. Neurosci.* 4 (1984) 2080–2094.
- [12] T.B. Shea, M.L. Beermann, I. Fischer, Transient requirement for vimentin in neuritogenesis: intracellular delivery of anti-vimentin antibodies and antisense oligonucleotides inhibit neurite initiation but not elongation of existing neurites in neuroblastoma, *J. Neurosci. Res.* 36 (1993) 66–76. <https://doi.org/10.1002/jnr.490360108>.
- [13] M. Galou, E. Colucci-Guyon, D. Ensergueix, J.L. Ridet, M. Gimenez y Ribotta, A. Privat, C. Babinet, P. Dupouey, Disrupted glial fibrillary acidic protein network in astrocytes from vimentin knockout mice, *J. Cell Biol.* 133 (1996) 853–863. <https://doi.org/10.1083/jcb.133.4.853>.
- [14] E.M. Hol, M. Pekny, Glial fibrillary acidic protein (GFAP) and the astrocyte intermediate filament system in diseases of the central nervous system, *Curr. Opin. Cell Biol.* 32 (2015) 121–130. <https://doi.org/10.1016/j.ceb.2015.02.004>.
- [15] F. Cheng, Y. Shen, P. Mohanasundaram, M. Lindström, J. Ivaska, T. Ny, J.E. Eriksson, Vimentin coordinates fibroblast proliferation and keratinocyte differentiation in wound healing via TGF- β -Slug signaling, *Proc. Natl. Acad. Sci. U. S. A.* 113 (2016) E4320–4327. <https://doi.org/10.1073/pnas.1519197113>.
- [16] E. Peuhu, R. Virtakoivu, A. Mai, A. Wärrri, J. Ivaska, Epithelial vimentin plays a functional role in mammary gland development, *Dev. Camb. Engl.* 144 (2017) 4103–4113. <https://doi.org/10.1242/dev.154229>.
- [17] R. Vater, M.J. Cullen, J.B. Harris, The expression of vimentin in satellite cells of regenerating skeletal muscle in vivo, *Histochem. J.* 26 (1994) 916–928.
- [18] W.M. Akkila, R.L. Chambers, O.I. Ornatsky, J.C. McDermott, Molecular cloning of up-regulated cytoskeletal genes from regenerating skeletal muscle: potential role of myocyte enhancer factor 2 proteins in the activation of muscle-regeneration-associated genes, *Biochem. J.* 325 (Pt 1) (1997) 87–93. <https://doi.org/10.1042/bj3250087>.
- [19] H.C. Bisgaard, P. Nagy, P.T. Ton, Z. Hu, S.S. Thorgeirsson, Modulation of keratin 14 and alpha-fetoprotein expression during hepatic oval cell proliferation and liver regeneration, *J. Cell. Physiol.* 159 (1994) 475–484. <https://doi.org/10.1002/jcp.1041590312>.

- [20] A. Izmiryan, Z. Li, F. Nothias, J. Eyer, D. Paulin, S. Soares, Z. Xue, Inactivation of vimentin in satellite glial cells affects dorsal root ganglion intermediate filament expression and neuronal axon growth in vitro, *Mol. Cell. Neurosci.* 115 (2021) 103659. <https://doi.org/10.1016/j.mcn.2021.103659>.
- [21] S. Vaittinen, R. Lukka, C. Sahlgren, T. Hurme, J. Rantanen, U. Lendahl, J.E. Eriksson, H. Kalimo, The expression of intermediate filament protein nestin as related to vimentin and desmin in regenerating skeletal muscle, *J. Neuropathol. Exp. Neurol.* 60 (2001) 588–597. <https://doi.org/10.1093/jnen/60.6.588>.
- [22] Z. Wang, A. Divanyan, F.L. Jourdeuil, R.D. Goldman, K.M. Ridge, D. Jourdeuil, R.I. Lopez-Soler, Vimentin expression is required for the development of EMT-related renal fibrosis following unilateral ureteral obstruction in mice, *Am. J. Physiol. Renal Physiol.* 315 (2018) F769–F780. <https://doi.org/10.1152/ajprenal.00340.2017>.
- [23] F. Cheng, J.E. Eriksson, Intermediate Filaments and the Regulation of Cell Motility during Regeneration and Wound Healing, *Cold Spring Harb. Perspect. Biol.* 9 (2017) a022046. <https://doi.org/10.1101/cshperspect.a022046>.
- [24] A.S. Menko, B.M. Bleaken, A.A. Libowitz, L. Zhang, M.A. Stepp, J.L. Walker, A central role for vimentin in regulating repair function during healing of the lens epithelium, *Mol. Biol. Cell.* 25 (2014) 776–790. <https://doi.org/10.1091/mbc.E12-12-0900>.
- [25] R.A. Battaglia, S. Delic, H. Herrmann, N.T. Snider, Vimentin on the move: new developments in cell migration, *F1000Research.* 7 (2018) F1000 Faculty Rev-1796. <https://doi.org/10.12688/f1000research.15967.1>.
- [26] F. Danielsson, M.K. Peterson, H. Caldeira Araújo, F. Lautenschläger, A.K.B. Gad, Vimentin Diversity in Health and Disease, *Cells.* 7 (2018). <https://doi.org/10.3390/cells7100147>.
- [27] A. Robert, M.J. Rossow, C. Hookway, S.A. Adam, V.I. Gelfand, Vimentin filament precursors exchange subunits in an ATP-dependent manner, *Proc. Natl. Acad. Sci. U. S. A.* 112 (2015) E3505-3514. <https://doi.org/10.1073/pnas.1505303112>.
- [28] A. Robert, C. Hookway, V.I. Gelfand, Intermediate filament dynamics: What we can see now and why it matters, *BioEssays News Rev. Mol. Cell. Dev. Biol.* 38 (2016) 232–243. <https://doi.org/10.1002/bies.201500142>.
- [29] A.E. Patteson, R.J. Carroll, D.V. Iwamoto, P.A. Janmey, The vimentin cytoskeleton: when polymer physics meets cell biology, *Phys. Biol.* 18 (2020) 011001. <https://doi.org/10.1088/1478-3975/abbcc2>.
- [30] N. Schwarz, R. Windoffer, T.M. Magin, R.E. Leube, Dissection of keratin network formation, turnover and reorganization in living murine embryos, *Sci. Rep.* 5 (2015) 9007. <https://doi.org/10.1038/srep09007>.
- [31] N.T. Snider, M.B. Omary, Post-translational modifications of intermediate filament proteins: mechanisms and functions, *Nat. Rev. Mol. Cell Biol.* 15 (2014) 163–177. <https://doi.org/10.1038/nrm3753>.
- [32] I. Ramos, K. Stamatakis, C.L. Oeste, D. Pérez-Sala, Vimentin as a Multifaceted Player and Potential Therapeutic Target in Viral Infections, *Int. J. Mol. Sci.* 21 (2020). <https://doi.org/10.3390/ijms21134675>.
- [33] Y. Byun, F. Chen, R. Chang, M. Trivedi, K.J. Green, V.L. Cryns, Caspase cleavage of vimentin disrupts intermediate filaments and promotes apoptosis, *Cell Death Differ.* 8 (2001) 443–450. <https://doi.org/10.1038/sj.cdd.4400840>.
- [34] L. Pan, P. Zhang, F. Hu, R. Yan, M. He, W. Li, J. Xu, K. Xu, Hypotonic Stress Induces Fast, Reversible Degradation of the Vimentin Cytoskeleton via Intracellular Calcium Release, *Adv. Sci. Weinh. Baden-Wurt. Ger.* 6 (2019) 1900865. <https://doi.org/10.1002/advs.201900865>.
- [35] B. Singh, R.B. Arlinghaus, Vimentin phosphorylation by p37mos protein kinase in vitro and generation of a 50-kDa cleavage product in v-mos-transformed cells, *Virology.* 173 (1989) 144–156. [https://doi.org/10.1016/0042-6822\(89\)90230-4](https://doi.org/10.1016/0042-6822(89)90230-4).
- [36] R.L. Shoeman, B. Höner, T.J. Stoller, C. Kesselmeier, M.C. Miedel, P. Traub, M.C. Graves, Human immunodeficiency virus type 1 protease cleaves the intermediate filament proteins vimentin, desmin, and glial fibrillary acidic protein, *Proc. Natl. Acad. Sci. U. S. A.* 87 (1990) 6336–6340. <https://doi.org/10.1073/pnas.87.16.6336>.
- [37] S. Duarte, Á. Viedma-Poyatos, E. Navarro-Carrasco, A.E. Martínez, M.A. Pajares, D. Pérez-Sala, Vimentin filaments interact with the actin cortex in mitosis allowing normal cell division, *Nat.*

Commun. 10 (2019) 4200. <https://doi.org/10.1038/s41467-019-12029-4>.

[38] M.P. Serres, M. Samwer, B.A. Truong Quang, G. Lavoie, U. Perera, D. Görlich, G. Charras, M. Petronczki, P.P. Roux, E.K. Paluch, F-Actin Interactome Reveals Vimentin as a Key Regulator of Actin Organization and Cell Mechanics in Mitosis, *Dev. Cell.* 52 (2020) 210-222.e7. <https://doi.org/10.1016/j.devcel.2019.12.011>.

[39] L. Schaedel, C. Lorenz, A.V. Schepers, S. Klumpp, S. Köster, Vimentin intermediate filaments stabilize dynamic microtubules by direct interactions, *Nat. Commun.* 12 (2021) 3799. <https://doi.org/10.1038/s41467-021-23523-z>.

[40] R. Foisner, P. Traub, G. Wiche, Protein kinase A- and protein kinase C-regulated interaction of plectin with lamin B and vimentin, *Proc. Natl. Acad. Sci. U. S. A.* 88 (1991) 3812–3816. <https://doi.org/10.1073/pnas.88.9.3812>.

[41] Y. Jiu, J. Lehtimäki, S. Tojkander, F. Cheng, H. Jääliñoja, X. Liu, M. Varjosalo, J.E. Eriksson, P. Lappalainen, Bidirectional Interplay between Vimentin Intermediate Filaments and Contractile Actin Stress Fibers, *Cell Rep.* 11 (2015) 1511–1518. <https://doi.org/10.1016/j.celrep.2015.05.008>.

[42] Z. Ostrowska-Podhorodecka, I. Ding, W. Lee, J. Tanic, S. Abbasi, P.D. Arora, R.S. Liu, A.E. Patteson, P.A. Janmey, C.A. McCulloch, Vimentin tunes cell migration on collagen by controlling $\beta 1$ integrin activation and clustering, *J. Cell Sci.* 134 (2021) jcs254359. <https://doi.org/10.1242/jcs.254359>.

[43] J. Kim, J. Jang, C. Yang, E.J. Kim, H. Jung, C. Kim, Vimentin filament controls integrin $\alpha 5\beta 1$ -mediated cell adhesion by binding to integrin through its Ser38 residue, *FEBS Lett.* 590 (2016) 3517–3525. <https://doi.org/10.1002/1873-3468.12430>.

[44] J. Kim, C. Yang, E.J. Kim, J. Jang, S.-J. Kim, S.M. Kang, M.G. Kim, H. Jung, D. Park, C. Kim, Vimentin filaments regulate integrin-ligand interactions by binding to the cytoplasmic tail of integrin $\beta 3$, *J. Cell Sci.* 129 (2016) 2030–2042. <https://doi.org/10.1242/jcs.180315>.

[45] G. Tzivion, Z.J. Luo, J. Avruch, Calyculin A-induced vimentin phosphorylation sequesters 14-3-3 and displaces other 14-3-3 partners in vivo, *J. Biol. Chem.* 275 (2000) 29772–29778. <https://doi.org/10.1074/jbc.M001207200>.

[46] R.C. Wang, Y. Wei, Z. An, Z. Zou, G. Xiao, G. Bhagat, M. White, J. Reichelt, B. Levine, Akt-mediated regulation of autophagy and tumorigenesis through Beclin 1 phosphorylation, *Science*. 338 (2012) 956–959. <https://doi.org/10.1126/science.1225967>.

[47] B.T. Helfand, M.G. Mendez, S.N.P. Murthy, D.K. Shumaker, B. Grin, S. Mahammad, U. Aebi, T. Wedig, Y.I. Wu, K.M. Hahn, M. Inagaki, H. Herrmann, R.D. Goldman, Vimentin organization modulates the formation of lamellipodia, *Mol. Biol. Cell.* 22 (2011) 1274–1289. <https://doi.org/10.1091/mbc.E10-08-0699>.

[48] K.J. Green, M. Böhringer, T. Gocken, J.C.R. Jones, Intermediate filament associated proteins, *Adv. Protein Chem.* 70 (2005) 143–202. [https://doi.org/10.1016/S0065-3233\(05\)70006-1](https://doi.org/10.1016/S0065-3233(05)70006-1).

[49] A. Satelli, S. Li, Vimentin in cancer and its potential as a molecular target for cancer therapy, *Cell. Mol. Life Sci. CMLS.* 68 (2011) 3033–3046. <https://doi.org/10.1007/s00018-011-0735-1>.

[50] E. Colucci-Guyon, M.M. Portier, I. Dunia, D. Paulin, S. Pournin, C. Babinet, Mice lacking vimentin develop and reproduce without an obvious phenotype, *Cell.* 79 (1994) 679–694.

[51] B. Eckes, E. Colucci-Guyon, H. Smola, S. Nodder, C. Babinet, T. Krieg, P. Martin, Impaired wound healing in embryonic and adult mice lacking vimentin, *J. Cell Sci.* 113 (Pt 13) (2000) 2455–2462.

[52] U. Wilhelmsson, P. Stillemark-Billton, J. Borén, M. Pekny, Vimentin is required for normal accumulation of body fat, *Biol. Chem.* 400 (2019) 1157–1162. <https://doi.org/10.1515/hsz-2019-0170>.

[53] E. Moisan, S. Chiasson, D. Girard, The intriguing normal acute inflammatory response in mice lacking vimentin, *Clin. Exp. Immunol.* 150 (2007) 158–168. <https://doi.org/10.1111/j.1365-2249.2007.03460.x>.

[54] M. Nieminen, T. Henttinen, M. Merinen, F. Marttila-Ichihara, J.E. Eriksson, S. Jalkanen, Vimentin function in lymphocyte adhesion and transcellular migration, *Nat. Cell Biol.* 8 (2006) 156–162. <https://doi.org/10.1038/ncb1355>.

[55] E. Perlson, S. Hanz, K. Ben-Yaakov, Y. Segal-Ruder, R. Seger, M. Fainzilber, Vimentin-dependent spatial translocation of an activated MAP kinase in injured nerve, *Neuron.* 45 (2005) 715–726. <https://doi.org/10.1016/j.neuron.2005.01.023>.

[56] B. Langlois, E. Belozertseva, A. Parlakian, M. Bourhim, J. Gao-Li, J. Blanc, L. Tian, D. Coletti, C. Labat, Z. Ramdame-Cherif, P. Challande, V. Regnault, P. Lacolley, Z. Li, Vimentin knockout results

in increased expression of sub-endothelial basement membrane components and carotid stiffness in mice, *Sci. Rep.* 7 (2017) 11628. <https://doi.org/10.1038/s41598-017-12024-z>.

[57] P.M. Schiffers, D. Henrion, C.M. Boulanger, E. Colucci-Guyon, F. Langa-Vuves, H. van Essen, G.E. Fazzi, B.I. Lévy, J.G. De Mey, Altered flow-induced arterial remodeling in vimentin-deficient mice, *Arterioscler. Thromb. Vasc. Biol.* 20 (2000) 611–616. <https://doi.org/10.1161/01.atv.20.3.611>.

[58] R.G. Oshima, Intermediate filaments: a historical perspective, *Exp. Cell Res.* 313 (2007) 1981–1994. <https://doi.org/10.1016/j.yexcr.2007.04.007>.

[59] M. Pekny, E.B. Lane, Intermediate filaments and stress, *Exp. Cell Res.* 313 (2007) 2244–2254. <https://doi.org/10.1016/j.yexcr.2007.04.023>.

[60] M.W. Klymkowsky, Filaments and phenotypes: cellular roles and orphan effects associated with mutations in cytoplasmic intermediate filament proteins, *F1000Research.* 8 (2019). <https://doi.org/10.12688/f1000research.19950.1>.

[61] D. Paulin, Y. Hovhannisyanyan, S. Kasakyan, O. Agbulut, Z. Li, Z. Xue, Synemin-related skeletal and cardiac myopathies: an overview of pathogenic variants, *Am. J. Physiol. Cell Physiol.* 318 (2020) C709–C718. <https://doi.org/10.1152/ajpcell.00485.2019>.

[62] M.B. Omary, “IF-pathies”: a broad spectrum of intermediate filament-associated diseases, *J. Clin. Invest.* 119 (2009) 1756–1762. <https://doi.org/10.1172/JCI39894>.

[63] B. Cogné, J.-E. Bouameur, G. Hayot, X. Latypova, S. Pattabiraman, A. Caillaud, K. Si-Tayeb, T. Besnard, S. Küry, C. Chariou, A. Gaignerie, L. David, P. Bordure, D. Kaganovich, S. Bézieau, C. Golzio, T.M. Magin, B. Isidor, A dominant vimentin variant causes a rare syndrome with premature aging, *Eur. J. Hum. Genet. EJHG.* 28 (2020) 1218–1230. <https://doi.org/10.1038/s41431-020-0583-2>.

[64] M. Müller, S.S. Bhattacharya, T. Moore, Q. Prescott, T. Wedig, H. Herrmann, T.M. Magin, Dominant cataract formation in association with a vimentin assembly disrupting mutation, *Hum. Mol. Genet.* 18 (2009) 1052–1057. <https://doi.org/10.1093/hmg/ddn440>.

[65] Y. Zhai, J. Li, W. Yu, S. Zhu, Y. Yu, M. Wu, G. Sun, X. Gong, K. Yao, Targeted Exome Sequencing of Congenital Cataracts Related Genes: Broadening the Mutation Spectrum and Genotype-Phenotype Correlations in 27 Chinese Han Families, *Sci. Rep.* 7 (2017) 1219. <https://doi.org/10.1038/s41598-017-01182-9>.

[66] A.S. Ma, J.R. Grigg, G. Ho, I. Prokudin, E. Farnsworth, K. Holman, A. Cheng, F.A. Billson, F. Martin, C. Fraser, D. Mowat, J. Smith, J. Christodoulou, M. Flaherty, B. Bennetts, R.V. Jamieson, Sporadic and Familial Congenital Cataracts: Mutational Spectrum and New Diagnoses Using Next-Generation Sequencing, *Hum. Mutat.* 37 (2016) 371–384. <https://doi.org/10.1002/humu.22948>.

[67] R. Bornheim, M. Müller, U. Reuter, H. Herrmann, H. Büssov, T.M. Magin, A dominant vimentin mutant upregulates Hsp70 and the activity of the ubiquitin-proteasome system, and causes posterior cataracts in transgenic mice, *J. Cell Sci.* 121 (2008) 3737–3746. <https://doi.org/10.1242/jcs.030312>.

[68] J. Ivaska, H.-M. Pallari, J. Nevo, J.E. Eriksson, Novel functions of vimentin in cell adhesion, migration, and signaling, *Exp. Cell Res.* 313 (2007) 2050–2062. <https://doi.org/10.1016/j.yexcr.2007.03.040>.

[69] S. Usman, N.H. Waseem, T.K.N. Nguyen, S. Mohsin, A. Jamal, M.-T. Teh, A. Waseem, Vimentin Is at the Heart of Epithelial Mesenchymal Transition (EMT) Mediated Metastasis, *Cancers.* 13 (2021) 4985. <https://doi.org/10.3390/cancers13194985>.

[70] M. Baumgartner, E. Viegas-Pequignot, F. Hoffschir, M. Ricoul, A. Bravard, B. Dutrillaux, Detection of translocations of 10p by non-radioactive in situ hybridization of VIM gene in SV40-transformed human cell lines, *Cancer Genet. Cytogenet.* 56 (1991) 23–29. [https://doi.org/10.1016/0165-4608\(91\)90358-2](https://doi.org/10.1016/0165-4608(91)90358-2).

[71] S. Ferrari, L.A. Cannizzaro, R. Battini, K. Huebner, R. Baserga, The gene encoding human vimentin is located on the short arm of chromosome 10, *Am. J. Hum. Genet.* 41 (1987) 616–626.

[72] M.G. Mattei, A. Lilienbaum, L.Z. Lin, J.F. Mattei, D. Paulin, Chromosomal localization of the mouse gene coding for vimentin, *Genet. Res.* 53 (1989) 183–185. <https://doi.org/10.1017/s0016672300028147>.

[73] Y.G. Capetanaki, J. Ngai, C.N. Flytzanis, E. Lazarides, Tissue-specific expression of two mRNA species transcribed from a single vimentin gene, *Cell.* 35 (1983) 411–420. [https://doi.org/10.1016/0092-8674\(83\)90174-5](https://doi.org/10.1016/0092-8674(83)90174-5).

[74] H.J. Dodemont, P. Soriano, W.J. Quax, F. Ramaekers, J.A. Lenstra, M.A. Groenen, G. Bernardi,

1 H. Bloemendal, The genes coding for the cytoskeletal proteins actin and vimentin in warm-blooded
2 vertebrates, *EMBO J.* 1 (1982) 167–171.
3 [75] S. Ferrari, R. Battini, L. Kaczmarek, S. Rittling, B. Calabretta, J.K. de Riel, V. Philiponis, J.F.
4 Wei, R. Baserga, Coding sequence and growth regulation of the human vimentin gene, *Mol. Cell. Biol.*
5 6 (1986) 3614–3620. <https://doi.org/10.1128/mcb.6.11.3614>.
6 [76] J. Perreau, A. Lilienbaum, M. Vasseur, D. Paulin, Nucleotide sequence of the human vimentin
7 gene and regulation of its transcription in tissues and cultured cells, *Gene.* 62 (1988) 7–16.
8 [https://doi.org/10.1016/0378-1119\(88\)90575-6](https://doi.org/10.1016/0378-1119(88)90575-6).
9 [77] W. Quax, R. van den Heuvel, W.V. Egberts, Y. Quax-Jeuken, H. Bloemendal, Intermediate
10 filament cDNAs from BHK-21 cells: demonstration of distinct genes for desmin and vimentin in all
11 vertebrate classes, *Proc. Natl. Acad. Sci. U. S. A.* 81 (1984) 5970–5974.
12 <https://doi.org/10.1073/pnas.81.19.5970>.
13 [78] W. Quax, P. Meera Khan, Y. Quax-Jeuken, H. Bloemendal, The human desmin and vimentin
14 genes are located on different chromosomes, *Gene.* 38 (1985) 189–196. [https://doi.org/10.1016/0378-1119\(85\)90217-3](https://doi.org/10.1016/0378-1119(85)90217-3).
15 [79] C.M. Sax, F.X. Farrell, J.A. Tobian, Z.E. Zehner, Multiple elements are required for expression
16 of an intermediate filament gene, *Nucleic Acids Res.* 16 (1988) 8057–8076.
17 <https://doi.org/10.1093/nar/16.16.8057>.
18 [80] Z.E. Zehner, B.M. Paterson, Characterization of the chicken vimentin gene: single copy gene
19 producing multiple mRNAs, *Proc. Natl. Acad. Sci. U. S. A.* 80 (1983) 911–915.
20 <https://doi.org/10.1073/pnas.80.4.911>.
21 [81] Z.E. Zehner, Y. Li, B.A. Roe, B.M. Paterson, C.M. Sax, The chicken vimentin gene. Nucleotide
22 sequence, regulatory elements, and comparison to the hamster gene, *J. Biol. Chem.* 262 (1987) 8112–
23 8120.
24 [82] P.D. Siebert, M. Fukuda, Induction of cytoskeletal vimentin and actin gene expression by a
25 tumor-promoting phorbol ester in the human leukemic cell line K562, *J. Biol. Chem.* 260 (1985) 3868–
26 3874.
27 [83] P. Vicart, B. Schwartz, A. Vandewalle, M. Bens, C. Delouis, J.J. Panthier, S. Pournin, C.
28 Babinet, D. Paulin, immortalization of multiple cell types from transgenic mice using a transgene
29 containing the vimentin promoter and a conditional oncogene, *Exp. Cell Res.* 214 (1994) 35–45.
30 <https://doi.org/10.1006/excr.1994.1231>.
31 [84] V. Moura-Neto, M.H. Kryszke, Z. Li, P. Vicart, A. Lilienbaum, D. Paulin, A 28-bp negative
32 element with multiple factor-binding activity controls expression of the vimentin-encoding gene, *Gene.*
33 168 (1996) 261–266. [https://doi.org/10.1016/0378-1119\(95\)00789-x](https://doi.org/10.1016/0378-1119(95)00789-x).
34 [85] F.R. Pieper, R.L. Slobbe, F.C. Ramaekers, H.T. Cuypers, H. Bloemendal, Upstream regions of
35 the hamster desmin and vimentin genes regulate expression during in vitro myogenesis, *EMBO J.* 6
36 (1987) 3611–3618.
37 [86] S.R. Rittling, L. Coutinho, T. Amram, M. Kolbe, AP-1/jun binding sites mediate serum
38 inducibility of the human vimentin promoter, *Nucleic Acids Res.* 17 (1989) 1619–1633.
39 <https://doi.org/10.1093/nar/17.4.1619>.
40 [87] A. Salvetti, A. Lilienbaum, Z. Li, D. Paulin, L. Gazzolo, Identification of a negative element in
41 the human vimentin promoter: modulation by the human T-cell leukemia virus type I Tax protein, *Mol.*
42 *Cell. Biol.* 13 (1993) 89–97. <https://doi.org/10.1128/mcb.13.1.89>.
43 [88] C.M. Sax, F.X. Farrell, Z.E. Zehner, Down-regulation of vimentin gene expression during
44 myogenesis is controlled by a 5'-flanking sequence, *Gene.* 78 (1989) 235–242.
45 [https://doi.org/10.1016/0378-1119\(89\)90226-6](https://doi.org/10.1016/0378-1119(89)90226-6).
46 [89] D.M. Stover, Z.E. Zehner, Identification of a cis-acting DNA antisilencer element which
47 modulates vimentin gene expression, *Mol. Cell. Biol.* 12 (1992) 2230–2240.
48 <https://doi.org/10.1128/mcb.12.5.2230-2240.1992>.
49 [90] A. Lilienbaum, D. Paulin, Activation of the human vimentin gene by the Tax human T-cell
50 leukemia virus. I. Mechanisms of regulation by the NF-kappa B transcription factor, *J. Biol. Chem.* 268
51 (1993) 2180–2188.
52 [91] A. Lilienbaum, M. Duc Dodon, C. Alexandre, L. Gazzolo, D. Paulin, Effect of human T-cell
53 leukemia virus type I tax protein on activation of the human vimentin gene, *J. Virol.* 64 (1990) 256–
54 263.

- 1 [92] M. Al-Maghrebi, H. Brulé, M. Padkina, C. Allen, W.M. Holmes, Z.E. Zehner, The 3'
2 untranslated region of human vimentin mRNA interacts with protein complexes containing eEF-
3 Igamma and HAX-1, *Nucleic Acids Res.* 30 (2002) 5017–5028. <https://doi.org/10.1093/nar/gkf656>.
- 4 [93] G. Bermano, R.K. Shepherd, Z.E. Zehner, J.E. Hesketh, Perinuclear mRNA localisation by
5 vimentin 3'-untranslated region requires a 100 nucleotide sequence and intermediate filaments, *FEBS
6 Lett.* 497 (2001) 77–81. [https://doi.org/10.1016/s0014-5793\(01\)02438-3](https://doi.org/10.1016/s0014-5793(01)02438-3).
- 7 [94] Z.E. Zehner, R.K. Shepherd, J. Gabryszuk, T.F. Fu, M. Al-Ali, W.M. Holmes, RNA-protein
8 interactions within the 3' untranslated region of vimentin mRNA, *Nucleic Acids Res.* 25 (1997) 3362–
9 3370. <https://doi.org/10.1093/nar/25.16.3362>.
- 10 [95] I. Carey, Z.E. Zehner, Regulation of chicken vimentin gene expression by serum, phorbol ester,
11 and growth factors: identification of a novel fibroblast growth factor-inducible element, *Cell Growth
12 Differ. Mol. Biol. J. Am. Assoc. Cancer Res.* 6 (1995) 899–908.
- 13 [96] E.S. Izmailova, S.R. Snyder, Z.E. Zehner, A Stat1alpha factor regulates the expression of the
14 human vimentin gene by IFN-gamma, *J. Interferon Cytokine Res. Off. J. Int. Soc. Interferon Cytokine
15 Res.* 20 (2000) 13–20. <https://doi.org/10.1089/107999000312694>.
- 16 [97] P. Angel, M. Karin, The role of Jun, Fos and the AP-1 complex in cell-proliferation and
17 transformation, *Biochim. Biophys. Acta.* 1072 (1991) 129–157. [https://doi.org/10.1016/0304-
18 419x\(91\)90011-9](https://doi.org/10.1016/0304-419x(91)90011-9).
- 19 [98] H.J. Rahmsdorf, Jun: transcription factor and oncoprotein, *J. Mol. Med. Berl. Ger.* 74 (1996)
20 725–747. <https://doi.org/10.1007/s001090050077>.
- 21 [99] S.R. Rittling, R. Baserga, Functional analysis and growth factor regulation of the human
22 vimentin promoter, *Mol. Cell. Biol.* 7 (1987) 3908–3915. [https://doi.org/10.1128/mcb.7.11.3908-
23 3915.1987](https://doi.org/10.1128/mcb.7.11.3908-3915.1987).
- 24 [100] E.S. Izmailova, E. Wieczorek, E.B. Perkins, Z.E. Zehner, A GC-box is required for expression
25 of the human vimentin gene, *Gene.* 235 (1999) 69–75. [https://doi.org/10.1016/s0378-1119\(99\)00209-7](https://doi.org/10.1016/s0378-1119(99)00209-7).
- 26 [101] Y. Wu, X. Zhang, Z.E. Zehner, c-Jun and the dominant-negative mutant, TAM67, induce
27 vimentin gene expression by interacting with the activator Sp1, *Oncogene.* 22 (2003) 8891–8901.
28 <https://doi.org/10.1038/sj.onc.1206898>.
- 29 [102] J.H. Chen, C. Vercamer, Z. Li, D. Paulin, B. Vandenbunder, D. Stehelin, PEA3 transactivates
30 vimentin promoter in mammary epithelial and tumor cells, *Oncogene.* 13 (1996) 1667–1675.
- 31 [103] M.H. Kryszke, V. Moura-Neto, A. Lilienbaum, D. Paulin, C. Auclair, Involvement of histone
32 H4 gene transcription factor 1 in downregulation of vimentin gene expression during skeletal muscle
33 differentiation, *FEBS Lett.* 491 (2001) 30–34. [https://doi.org/10.1016/s0014-5793\(01\)02142-1](https://doi.org/10.1016/s0014-5793(01)02142-1).
- 34 [104] E. Wieczorek, Z. Lin, E.B. Perkins, D.J. Law, J.L. Merchant, Z.E. Zehner, The zinc finger
35 repressor, ZBP-89, binds to the silencer element of the human vimentin gene and complexes with the
36 transcriptional activator, Sp1, *J. Biol. Chem.* 275 (2000) 12879–12888.
37 <https://doi.org/10.1074/jbc.275.17.12879>.
- 38 [105] E.S. Izmailova, Z.E. Zehner, An antisilencer element is involved in the transcriptional regulation
39 of the human vimentin gene, *Gene.* 230 (1999) 111–120. [https://doi.org/10.1016/s0378-1119\(99\)00046-
40 3](https://doi.org/10.1016/s0378-1119(99)00046-3).
- 41 [106] Y. Wu, I. Diab, X. Zhang, E.S. Izmailova, Z.E. Zehner, Stat3 enhances vimentin gene expression
42 by binding to the antisilencer element and interacting with the repressor protein, ZBP-89, *Oncogene.* 23
43 (2004) 168–178. <https://doi.org/10.1038/sj.onc.1207003>.
- 44 [107] Y. Wu, X. Zhang, M. Salmon, X. Lin, Z.E. Zehner, TGFbeta1 regulation of vimentin gene
45 expression during differentiation of the C2C12 skeletal myogenic cell line requires Smads, AP-1 and
46 Sp1 family members, *Biochim. Biophys. Acta.* 1773 (2007) 427–439.
47 <https://doi.org/10.1016/j.bbamcr.2006.11.017>.
- 48 [108] Y. Wu, X. Zhang, M. Salmon, Z.E. Zehner, The zinc finger repressor, ZBP-89, recruits histone
49 deacetylase 1 to repress vimentin gene expression, *Genes Cells Devoted Mol. Cell. Mech.* 12 (2007)
50 905–918. <https://doi.org/10.1111/j.1365-2443.2007.01104.x>.
- 51 [109] X. Zhang, I.H. Diab, Z.E. Zehner, ZBP-89 represses vimentin gene transcription by interacting
52 with the transcriptional activator, Sp1, *Nucleic Acids Res.* 31 (2003) 2900–2914.
53 <https://doi.org/10.1093/nar/gkg380>.
- 54 [110] M. Salmon, G.K. Owens, Z.E. Zehner, Over-expression of the transcription factor, ZBP-89,
55 leads to enhancement of the C2C12 myogenic program, *Biochim. Biophys. Acta.* 1793 (2009) 1144–
56 1154. <https://doi.org/10.1016/j.bbapap.2009.05.017>.

1155. <https://doi.org/10.1016/j.bbamcr.2009.01.019>.

[111] R. Kalluri, EMT: when epithelial cells decide to become mesenchymal-like cells, *J. Clin. Invest.* 119 (2009) 1417–1419. <https://doi.org/10.1172/JCI39675>.

[112] C.L. Sommers, J.M. Skerker, S.A. Chrysogelos, M. Bosseler, E.P. Gelmann, Regulation of vimentin gene transcription in human breast cancer cell lines, *Cell Growth Differ. Mol. Biol. J. Am. Assoc. Cancer Res.* 5 (1994) 839–846.

[113] A.J. Pantuck, J. An, H. Liu, M.B. Rettig, NF-kappaB-dependent plasticity of the epithelial to mesenchymal transition induced by Von Hippel-Lindau inactivation in renal cell carcinomas, *Cancer Res.* 70 (2010) 752–761. <https://doi.org/10.1158/0008-5472.CAN-09-2211>.

[114] Q. Zhang, B.T. Helfand, T.L. Jang, L.J. Zhu, L. Chen, X.J. Yang, J. Kozlowski, N. Smith, S.D. Kundu, G. Yang, A.A. Raji, B. Javonovic, M. Pins, P. Lindholm, Y. Guo, W.J. Catalona, C. Lee, Nuclear factor-kappaB-mediated transforming growth factor-beta-induced expression of vimentin is an independent predictor of biochemical recurrence after radical prostatectomy, *Clin. Cancer Res. Off. J. Am. Assoc. Cancer Res.* 15 (2009) 3557–3567. <https://doi.org/10.1158/1078-0432.CCR-08-1656>.

[115] S. Pillai, W. Rizwani, X. Li, B. Rawal, S. Nair, M.J. Schell, G. Bepler, E. Haura, D. Coppola, S. Chellappan, ID1 facilitates the growth and metastasis of non-small cell lung cancer in response to nicotinic acetylcholine receptor and epidermal growth factor receptor signaling, *Mol. Cell. Biol.* 31 (2011) 3052–3067. <https://doi.org/10.1128/MCB.01311-10>.

[116] S. Bindels, M. Mestdagt, C. Vandewalle, N. Jacobs, L. Volders, A. Noël, F. van Roy, G. Berx, J.-M. Foidart, C. Gilles, Regulation of vimentin by SIP1 in human epithelial breast tumor cells, *Oncogene.* 25 (2006) 4975–4985. <https://doi.org/10.1038/sj.onc.1209511>.

[117] M. Birkenbach, D. Liebowitz, F. Wang, J. Sample, E. Kieff, Epstein-Barr virus latent infection membrane protein increases vimentin expression in human B-cell lines, *J. Virol.* 63 (1989) 4079–4084. <https://doi.org/10.1128/JVI.63.9.4079-4084.1989>.

[118] C.L. Duffy, S.L. Phillips, A.J. Klingelutz, Microarray analysis identifies differentiation-associated genes regulated by human papillomavirus type 16 E6, *Virology.* 314 (2003) 196–205. [https://doi.org/10.1016/s0042-6822\(03\)00390-8](https://doi.org/10.1016/s0042-6822(03)00390-8).

[119] Y. Zhang, Z. Wen, X. Shi, Y.-J. Liu, J.E. Eriksson, Y. Jiu, The diverse roles and dynamic rearrangement of vimentin during viral infection, *J. Cell Sci.* 134 (2020) jcs250597. <https://doi.org/10.1242/jcs.250597>.

[120] A. Salvetti, A. Lilienbaum, M.M. Portier, P. Gounon, D. Paulin, L. Gazzolo, Organization and expression of intermediate filaments in epithelial cells expressing the HTLV-I Tax protein, *Eur. J. Cell Biol.* 61 (1993) 383–391.

[121] B. Yates, C. Zetterberg, V. Rajeev, M. Reiss, S.R. Rittling, Promoter-independent regulation of vimentin expression in mammary epithelial cells by val(12)ras and TGFbeta, *Exp. Cell Res.* 313 (2007) 3718–3728. <https://doi.org/10.1016/j.yexcr.2007.07.026>.

[122] W.-D. Chen, Z.J. Han, J. Skoletsy, J. Olson, J. Sah, L. Myeroff, P. Platzer, S. Lu, D. Dawson, J. Willis, T.P. Pretlow, J. Lutterbaugh, L. Kasturi, J.K.V. Willson, J.S. Rao, A. Shuber, S.D. Markowitz, Detection in fecal DNA of colon cancer-specific methylation of the nonexpressed vimentin gene, *J. Natl. Cancer Inst.* 97 (2005) 1124–1132. <https://doi.org/10.1093/jnci/dji204>.

[123] H. Cong, R.-Y. Yao, Z.-Q. Sun, W.-S. Qiu, Y.-S. Yao, T.-T. Feng, C. Xin, J. Liang, L.U. Yue, DNA hypermethylation of the vimentin gene inversely correlates with vimentin expression in intestinal- and diffuse-type gastric cancer, *Oncol. Lett.* 11 (2016) 842–848. <https://doi.org/10.3892/ol.2015.3937>.

[124] S. Jung, L. Yi, J. Kim, D. Jeong, T. Oh, C.-H. Kim, C.-J. Kim, J. Shin, S. An, M.-S. Lee, The role of vimentin as a methylation biomarker for early diagnosis of cervical cancer, *Mol. Cells.* 31 (2011) 405–411. <https://doi.org/10.1007/s10059-011-0229-x>.

[125] J.B. Kisiel, T.C. Yab, W.R. Taylor, S.T. Chari, G.M. Petersen, D.W. Mahoney, D.A. Ahlquist, Stool DNA testing for the detection of pancreatic cancer: assessment of methylation marker candidates, *Cancer.* 118 (2012) 2623–2631. <https://doi.org/10.1002/cncr.26558>.

[126] Y. Gao, H. Jammes, M.A. Rasmussen, O. Oestrup, N. Beaujean, V. Hall, P. Hyttel, Epigenetic regulation of gene expression in porcine epiblast, hypoblast, trophectoderm and epiblast-derived neural progenitor cells, *Epigenetics.* 6 (2011) 1149–1161. <https://doi.org/10.4161/epi.6.9.16954>.

[127] Y. Liu, Y. Wang, C. Chen, J. Zhang, W. Qian, Y. Dong, Z. Liu, X. Zhang, X. Wang, Z. Zhang, X. Shi, S. Wu, LSD1 binds to HPV16 E7 and promotes the epithelial-mesenchymal transition in cervical cancer by demethylating histones at the Vimentin promoter, *Oncotarget.* 8 (2017) 11329–11342.

<https://doi.org/10.18632/oncotarget.13516>.

[128] S.F. Alsaqer, M.M. Tashkandi, V.K. Kartha, Y.-T. Yang, Y. Alkheriji, A. Salama, X. Varelas, M. Kukuruzinska, S. Monti, M.V. Bais, Inhibition of LSD1 epigenetically attenuates oral cancer growth and metastasis, *Oncotarget*. 8 (2017) 73372–73386. <https://doi.org/10.18632/oncotarget.19637>.

[129] C. Gupta, J. Kaur, K. Tikoo, Regulation of MDA-MB-231 cell proliferation by GSK-3 β involves epigenetic modifications under high glucose conditions, *Exp. Cell Res.* 324 (2014) 75–83. <https://doi.org/10.1016/j.yexcr.2014.03.019>.

[130] S.B. Marquez-Vilendrer, K. Thompson, L. Lu, D. Reisman, Mechanism of BRG1 silencing in primary cancers, *Oncotarget*. 7 (2016) 56153–56169. <https://doi.org/10.18632/oncotarget.10593>.

[131] K. Zhao, J. He, Y.-F. Wang, S.-D. Jin, Y. Fan, N. Fang, J. Qian, T.-P. Xu, R.-H. Guo, EZH2-mediated epigenetic suppression of EphB3 inhibits gastric cancer proliferation and metastasis by affecting E-cadherin and vimentin expression, *Gene*. 686 (2019) 118–124. <https://doi.org/10.1016/j.gene.2018.11.015>.

[132] M. Yan, X. Yang, R. Shen, C. Wu, H. Wang, Q. Ye, P. Yang, L. Zhang, M. Chen, B. Wan, Q. Zhang, S. Xia, X. Lu, G. Shao, X. Zhou, J. Yu, Q. Shao, miR-146b promotes cell proliferation and increases chemosensitivity, but attenuates cell migration and invasion via FBXL10 in ovarian cancer, *Cell Death Dis.* 9 (2018) 1123. <https://doi.org/10.1038/s41419-018-1093-9>.

[133] H.-Y. Chang, C.-H. Lee, Y.-S. Li, J.-T. Huang, S.-H. Lan, Y.-F. Wang, W.-W. Lai, Y.-C. Wang, Y.-J. Lin, H.-S. Liu, H.-C. Cheng, MicroRNA-146a suppresses tumor malignancy via targeting vimentin in esophageal squamous cell carcinoma cells with lower fibronectin membrane assembly, *J. Biomed. Sci.* 27 (2020) 102. <https://doi.org/10.1186/s12929-020-00693-4>.

[134] S.A. Nabipoorashrafi, N. Shomali, L. Sadat-Hatamnezhad, M. Mahami-Oskouei, J. Mahmoudi, B. Sandoghchian Shotorbani, M. Akbari, H. Xu, S. Sandoghchian Shotorbani, miR-143 acts as an inhibitor of migration and proliferation as well as an inducer of apoptosis in melanoma cancer cells in vitro, *IUBMB Life*. 72 (2020) 2034–2044. <https://doi.org/10.1002/iub.2345>.

[135] D. Ren, Q. Yang, Y. Dai, W. Guo, H. Du, L. Song, X. Peng, Oncogenic miR-210-3p promotes prostate cancer cell EMT and bone metastasis via NF- κ B signaling pathway, *Mol. Cancer*. 16 (2017) 117. <https://doi.org/10.1186/s12943-017-0688-6>.

[136] C.-W. Cheng, H.-W. Wang, C.-W. Chang, H.-W. Chu, C.-Y. Chen, J.-C. Yu, J.-I. Chao, H.-F. Liu, S.-L. Ding, C.-Y. Shen, MicroRNA-30a inhibits cell migration and invasion by downregulating vimentin expression and is a potential prognostic marker in breast cancer, *Breast Cancer Res. Treat.* 134 (2012) 1081–1093. <https://doi.org/10.1007/s10549-012-2034-4>.

[137] J.-W. Mei, Z.-Y. Yang, H.-G. Xiang, R. Bao, Y.-Y. Ye, T. Ren, X.-F. Wang, Y.-J. Shu, MicroRNA-1275 inhibits cell migration and invasion in gastric cancer by regulating vimentin and E-cadherin via JAZF1, *BMC Cancer*. 19 (2019) 740. <https://doi.org/10.1186/s12885-019-5929-1>.

[138] T.W. Kim, Y.S. Lee, N.H. Yun, C.H. Shin, H.K. Hong, H.H. Kim, Y.B. Cho, MicroRNA-17-5p regulates EMT by targeting vimentin in colorectal cancer, *Br. J. Cancer*. 123 (2020) 1123–1130. <https://doi.org/10.1038/s41416-020-0940-5>.

[139] X. Chen, C.C. Yan, X. Zhang, Z.-H. You, Long non-coding RNAs and complex diseases: from experimental results to computational models, *Brief. Bioinform.* 18 (2017) 558–576. <https://doi.org/10.1093/bib/bbw060>.

[140] R. Boque-Sastre, M. Soler, C. Oliveira-Mateos, A. Portela, C. Moutinho, S. Sayols, A. Villanueva, M. Esteller, S. Guil, Head-to-head antisense transcription and R-loop formation promotes transcriptional activation, *Proc. Natl. Acad. Sci. U. S. A.* 112 (2015) 5785–5790. <https://doi.org/10.1073/pnas.1421197112>.

[141] M. Mohebi, S. Ghafouri-Fard, M.H. Modarressi, S. Dashti, A. Zekri, V. Kholghi-Oskoei, M. Taheri, Expression analysis of vimentin and the related lncRNA network in breast cancer, *Exp. Mol. Pathol.* 115 (2020) 104439. <https://doi.org/10.1016/j.yexmp.2020.104439>.

[142] J. Huang, Y. Guo, C. Zhao, S. Yuan, Y. Wang, G. Tang, W. Zhou, S. Sun, Hepatitis B virus X protein (HBx)-related long noncoding RNA (lncRNA) down-regulated expression by HBx (Dreh) inhibits hepatocellular carcinoma metastasis by targeting the intermediate filament protein vimentin, *Hepatol. Baltim. Md.* 57 (2013) 1882–1892. <https://doi.org/10.1002/hep.26195>.

[143] H. Tian, R. Lian, Y. Li, C. Liu, S. Liang, W. Li, T. Tao, X. Wu, Y. Ye, X. Yang, J. Han, X. Chen, J. Li, Y. He, M. Li, J. Wu, J. Cai, AKT-induced lncRNA VAL promotes EMT-independent metastasis through diminishing Trim16-dependent Vimentin degradation, *Nat. Commun.* 11 (2020)

5127. <https://doi.org/10.1038/s41467-020-18929-0>.

[144] Y. Yang, J. Zhang, X. Chen, X. Xu, G. Cao, H. Li, T. Wu, LncRNA FTX sponges miR-215 and inhibits phosphorylation of vimentin for promoting colorectal cancer progression, *Gene Ther.* 25 (2018) 321–330. <https://doi.org/10.1038/s41434-018-0026-7>.

[145] S. Zeng, X. Xie, Y.-F. Xiao, B. Tang, C.-J. Hu, S.-M. Wang, Y.-Y. Wu, H. Dong, B.-S. Li, S.-M. Yang, Long noncoding RNA LINC00675 enhances phosphorylation of vimentin on Ser83 to suppress gastric cancer progression, *Cancer Lett.* 412 (2018) 179–187. <https://doi.org/10.1016/j.canlet.2017.10.026>.

[146] K. Tsujimura, M. Ogawara, Y. Takeuchi, S. Imajoh-Ohmi, M.H. Ha, M. Inagaki, Visualization and function of vimentin phosphorylation by cdc2 kinase during mitosis, *J. Biol. Chem.* 269 (1994) 31097–31106.

[147] T. Yamaguchi, H. Goto, T. Yokoyama, H. Silljé, A. Hanisch, A. Uldschmid, Y. Takai, T. Oguri, E.A. Nigg, M. Inagaki, Phosphorylation by Cdk1 induces Plk1-mediated vimentin phosphorylation during mitosis, *J. Cell Biol.* 171 (2005) 431–436. <https://doi.org/10.1083/jcb.200504091>.

[148] H. Goto, H. Kosako, K. Tanabe, M. Yanagida, M. Sakurai, M. Amano, K. Kaibuchi, M. Inagaki, Phosphorylation of vimentin by Rho-associated kinase at a unique amino-terminal site that is specifically phosphorylated during cytokinesis, *J. Biol. Chem.* 273 (1998) 11728–11736. <https://doi.org/10.1074/jbc.273.19.11728>.

[149] H. Goto, Y. Yasui, A. Kawajiri, E.A. Nigg, Y. Terada, M. Tatsuka, K. Nagata, M. Inagaki, Aurora-B regulates the cleavage furrow-specific vimentin phosphorylation in the cytokinetic process, *J. Biol. Chem.* 278 (2003) 8526–8530. <https://doi.org/10.1074/jbc.M210892200>.

[150] H. Goto, K. Tanabe, E. Manser, L. Lim, Y. Yasui, M. Inagaki, Phosphorylation and reorganization of vimentin by p21-activated kinase (PAK), *Genes Cells Devoted Mol. Cell. Mech.* 7 (2002) 91–97. <https://doi.org/10.1046/j.1356-9597.2001.00504.x>.

[151] D.D. Tang, Y. Bai, S.J. Gunst, Silencing of p21-activated kinase attenuates vimentin phosphorylation on Ser-56 and reorientation of the vimentin network during stimulation of smooth muscle cells by 5-hydroxytryptamine, *Biochem. J.* 388 (2005) 773–783. <https://doi.org/10.1042/BJ20050065>.

[152] R. Wang, Q.-F. Li, Y. Anfinogenova, D.D. Tang, Dissociation of Crk-associated substrate from the vimentin network is regulated by p21-activated kinase on ACh activation of airway smooth muscle, *Am. J. Physiol. Lung Cell. Mol. Physiol.* 292 (2007) L240–248. <https://doi.org/10.1152/ajplung.00199.2006>.

[153] J.E. Eriksson, T. He, A.V. Trejo-Skalli, A.-S. Härmälä-Braskén, J. Hellman, Y.-H. Chou, R.D. Goldman, Specific in vivo phosphorylation sites determine the assembly dynamics of vimentin intermediate filaments, *J. Cell Sci.* 117 (2004) 919–932. <https://doi.org/10.1242/jcs.00906>.

[154] Q.-S. Zhu, K. Rosenblatt, K.-L. Huang, G. Lahat, R. Brobey, S. Bolshakov, T. Nguyen, Z. Ding, R. Belousov, K. Bill, X. Luo, A. Lazar, A. Dicker, G.B. Mills, M.-C. Hung, D. Lev, Vimentin is a novel AKT1 target mediating motility and invasion, *Oncogene.* 30 (2011) 457–470. <https://doi.org/10.1038/onc.2010.421>.

[155] J. Ivaska, K. Vuoriluoto, T. Huovinen, I. Izawa, M. Inagaki, P.J. Parker, PKCepsilon-mediated phosphorylation of vimentin controls integrin recycling and motility, *EMBO J.* 24 (2005) 3834–3845. <https://doi.org/10.1038/sj.emboj.7600847>.

[156] T.-J. Cheng, Y.-F. Tseng, W.-M. Chang, M.D.-T. Chang, Y.-K. Lai, Retaining of the assembly capability of vimentin phosphorylated by mitogen-activated protein kinase-activated protein kinase-2, *J. Cell. Biochem.* 89 (2003) 589–602. <https://doi.org/10.1002/jcb.10511>.

[157] Y.H. Chou, P. Opal, R.A. Quinlan, R.D. Goldman, The relative roles of specific N- and C-terminal phosphorylation sites in the disassembly of intermediate filament in mitotic BHK-21 cells, *J. Cell Sci.* 109 (Pt 4) (1996) 817–826.

[158] K.-Y. Lee, L. Liu, Y. Jin, S.-B. Fu, J.L. Rosales, Cdk5 mediates vimentin Ser56 phosphorylation during GTP-induced secretion by neutrophils, *J. Cell. Physiol.* 227 (2012) 739–750. <https://doi.org/10.1002/jcp.22782>.

[159] S. Ando, K. Tanabe, Y. Gonda, C. Sato, M. Inagaki, Domain- and sequence-specific phosphorylation of vimentin induces disassembly of the filament structure, *Biochemistry.* 28 (1989) 2974–2979. <https://doi.org/10.1021/bi00433a035>.

[160] T. Oguri, A. Inoko, H. Shima, I. Izawa, N. Arimura, T. Yamaguchi, N. Inagaki, K. Kaibuchi, K.

1 Kikuchi, M. Inagaki, Vimentin-Ser82 as a memory phosphorylation site in astrocytes, *Genes Cells*
2 *Devoted Mol. Cell. Mech.* 11 (2006) 531–540. <https://doi.org/10.1111/j.1365-2443.2006.00961.x>.
3 [161] Y. Yasui, H. Goto, S. Matsui, E. Manser, L. Lim, null Nagata Ki, M. Inagaki, Protein kinases
4 required for segregation of vimentin filaments in mitotic process, *Oncogene*. 20 (2001) 2868–2876.
5 <https://doi.org/10.1038/sj.onc.1204407>.
6 [162] S. Stefanovic, M. Windsor, K.-I. Nagata, M. Inagaki, T. Wileman, Vimentin rearrangement
7 during African swine fever virus infection involves retrograde transport along microtubules and
8 phosphorylation of vimentin by calcium calmodulin kinase II, *J. Virol.* 79 (2005) 11766–11775.
9 <https://doi.org/10.1128/JVI.79.18.11766-11775.2005>.
10 [163] H. Bang, K. Egerer, A. Gaudiard, K. Lüthke, P.E. Rudolph, G. Fredenhagen, W. Berg, E. Feist,
11 G.-R. Burmester, Mutation and citrullination modifies vimentin to a novel autoantigen for rheumatoid
12 arthritis, *Arthritis Rheum.* 56 (2007) 2503–2511. <https://doi.org/10.1002/art.22817>.
13 [164] O. Snir, M. Rieck, J.A. Gebe, B.B. Yue, C.A. Rawlings, G. Nepom, V. Malmström, J.H.
14 Buckner, Identification and functional characterization of T cells reactive to citrullinated vimentin in
15 HLA-DRB1*0401-positive humanized mice and rheumatoid arthritis patients, *Arthritis Rheum.* 63
16 (2011) 2873–2883. <https://doi.org/10.1002/art.30445>.
17 [165] L.M. Icenogle, S.M. Hengel, L.H. Coye, A. Streifel, C.M. Collins, D.R. Goodlett, S.L. Moseley,
18 Molecular and biological characterization of Streptococcal SpyA-mediated ADP-ribosylation of
19 intermediate filament protein vimentin, *J. Biol. Chem.* 287 (2012) 21481–21491.
20 <https://doi.org/10.1074/jbc.M112.370791>.
21 [166] K. Pielies, T. Glatter, A. Harms, A. Schmidt, C. Dehio, An experimental strategy for the
22 identification of AMPylation targets from complex protein samples, *Proteomics*. 14 (2014) 1048–1052.
23 <https://doi.org/10.1002/pmic.201300470>.
24 [167] H.J. Tarbet, L. Dolat, T.J. Smith, B.M. Condon, E.T. O’Brien, R.H. Valdivia, M. Boyce, Site-
25 specific glycosylation regulates the form and function of the intermediate filament cytoskeleton, *ELife*.
26 7 (2018) e31807. <https://doi.org/10.7554/eLife.31807>.
27 [168] Z. Wang, A. Pandey, G.W. Hart, Dynamic interplay between O-linked N-
28 acetylglucosamylation and glycogen synthase kinase-3-dependent phosphorylation, *Mol. Cell.*
29 *Proteomics MCP.* 6 (2007) 1365–1379. <https://doi.org/10.1074/mcp.M600453-MCP200>.
30 [169] T. Kueper, T. Grune, S. Prahl, H. Lenz, V. Welge, T. Biernoth, Y. Vogt, G.-M. Muhr, A.
31 Gaemlich, T. Jung, G. Boemke, H.-P. Elsässer, K.-P. Wittern, H. Wenck, F. Stäb, T. Blatt, Vimentin is
32 the specific target in skin glycation. Structural prerequisites, functional consequences, and role in skin
33 aging, *J. Biol. Chem.* 282 (2007) 23427–23436. <https://doi.org/10.1074/jbc.M701586200>.
34 [170] M. Kaus-Drobek, N. Mücke, R.H. Szczepanowski, T. Wedig, M. Czarnocki-Cieciura, M.
35 Polakowska, H. Herrmann, A. Wyslouch-Cieszńska, M. Dadlez, Vimentin S-glutathionylation at
36 Cys328 inhibits filament elongation and induces severing of mature filaments in vitro, *FEBS J.* 287
37 (2020) 5304–5322. <https://doi.org/10.1111/febs.15321>.
38 [171] L.H. Wu, X.T. Shao, J.X. Guo, H. Sun, Q. Chen, J. Pan, Q.Q. Cai, Y.W. Dong, Z.Y. Chen, X.M.
39 Yan, M. Peng, N. Zhong, X.Z. Wu, Vimentin is important in the neural differentiation of PC12 cells
40 promoted by sialylation, *Glycoconj. J.* 34 (2017) 51–59. <https://doi.org/10.1007/s10719-016-9727-6>.
41 [172] C. Li, F.P. McManus, C. Plutoni, C.M. Pascariu, T. Nelson, L.E. Alberici Delsin, G. Emery, P.
42 Thibault, Quantitative SUMO proteomics identifies PIAS1 substrates involved in cell migration and
43 motility, *Nat. Commun.* 11 (2020) 834. <https://doi.org/10.1038/s41467-020-14581-w>.
44 [173] K. Pang, J. Park, S.G. Ahn, J. Lee, Y. Park, A. Ooshima, S. Mizuno, S. Yamashita, K.-S. Park,
45 S.-Y. Lee, J. Jeong, T. Ushijima, K.-M. Yang, S.-J. Kim, RNF208, an estrogen-inducible E3 ligase,
46 targets soluble Vimentin to suppress metastasis in triple-negative breast cancers, *Nat. Commun.* 10
47 (2019) 5805. <https://doi.org/10.1038/s41467-019-13852-5>.
48 [174] D. Frescas, C.M. Roux, S. Aygun-Sunar, A.S. Gleiberman, P. Krasnov, O.V. Kurnasov, E.
49 Strom, L.P. Virtuoso, M. Wrobel, A.L. Osterman, M.P. Antoch, V. Mett, O.B. Chernova, A.V. Gudkov,
50 Senescent cells expose and secrete an oxidized form of membrane-bound vimentin as revealed by a
51 natural polyreactive antibody, *Proc. Natl. Acad. Sci. U. S. A.* 114 (2017) E1668–E1677.
52 <https://doi.org/10.1073/pnas.1614661114>.
53 [175] Z. Baka, B. György, P. Géher, E.I. Buzás, A. Falus, G. Nagy, Citrullination under physiological
54 and pathological conditions, *Joint Bone Spine.* 79 (2012) 431–436.
55 <https://doi.org/10.1016/j.jbspin.2012.01.008>.
56
57
58
59
60
61
62
63
64
65

- [176] M. Ebrahimi-Rad, S. Khatami, H. Akhbari, H. Mahmoudzadeh-Niknam, S. Valadbeigi, M. Mahmoudi, A. Jamshidi, F. Riazi-Rad, R. Saghiri, Evaluation of autoantibodies against vimentin and α -enolase in rheumatoid arthritis patients, *Reumatologia*. 58 (2020) 350–356. <https://doi.org/10.5114/reum.2020.101276>.
- [177] V.A. Brentville, R.L. Metheringham, B. Gunn, P. Symonds, I. Daniels, M. Gijon, K. Cook, W. Xue, L.G. Durrant, Citrullinated Vimentin Presented on MHC-II in Tumor Cells Is a Target for CD4+ T-Cell-Mediated Antitumor Immunity, *Cancer Res.* 76 (2016) 548–560. <https://doi.org/10.1158/0008-5472.CAN-15-1085>.
- [178] F.J. Li, R. Surolia, H. Li, Z. Wang, G. Liu, T. Kulkarni, A.V.F. Massicano, J.A. Mobley, S. Mondal, J.A. de Andrade, S.A. Coonrod, P.R. Thompson, K. Wille, S.E. Lapi, M. Athar, V.J. Thannickal, A.B. Carter, V.B. Antony, Citrullinated vimentin mediates development and progression of lung fibrosis, *Sci. Transl. Med.* 13 (2021) eaba2927. <https://doi.org/10.1126/scitranslmed.aba2927>.
- [179] J.W. Wizeman, A.P. Nicholas, A. Ishigami, R. Mohan, Citrullination of glial intermediate filaments is an early response in retinal injury, *Mol. Vis.* 22 (2016) 1137–1155.
- [180] A. Krishnamurthy, A.J. Ytterberg, M. Sun, K. Sakuraba, J. Steen, V. Joshua, N.K. Tarasova, V. Malmström, H. Wähämaa, B. Réthi, A.I. Catrina, Citrullination Controls Dendritic Cell Transdifferentiation into Osteoclasts, *J. Immunol. Baltim. Md 1950.* 202 (2019) 3143–3150. <https://doi.org/10.4049/jimmunol.1800534>.
- [181] A. Ishigami, T. Ohsawa, M. Hiratsuka, H. Taguchi, S. Kobayashi, Y. Saito, S. Murayama, H. Asaga, T. Toda, N. Kimura, N. Maruyama, Abnormal accumulation of citrullinated proteins catalyzed by peptidylarginine deiminase in hippocampal extracts from patients with Alzheimer’s disease, *J. Neurosci. Res.* 80 (2005) 120–128. <https://doi.org/10.1002/jnr.20431>.
- [182] E.K. Ahmed, A. Rogowska-Wrzesinska, P. Roepstorff, A.-L. Bulteau, B. Friguet, Protein modification and replicative senescence of WI-38 human embryonic fibroblasts, *Aging Cell.* 9 (2010) 252–272. <https://doi.org/10.1111/j.1474-9726.2010.00555.x>.
- [183] S. Horkovics-Kovats, P. Traub, Specific interaction of the intermediate filament protein vimentin and its isolated N-terminus with negatively charged phospholipids as determined by vesicle aggregation, fusion, and leakage measurements, *Biochemistry.* 29 (1990) 8652–8657. <https://doi.org/10.1021/bi00489a022>.
- [184] R. Bhattacharya, A.M. Gonzalez, P.J. Debiase, H.E. Trejo, R.D. Goldman, F.W. Flitney, J.C.R. Jones, Recruitment of vimentin to the cell surface by beta3 integrin and plectin mediates adhesion strength, *J. Cell Sci.* 122 (2009) 1390–1400. <https://doi.org/10.1242/jcs.043042>.
- [185] D.L. Evans, D.T. Harris, J.H. Leary, A.L. St John, L. Jaso-Friedman, Identification of a vimentin-like function associated molecule (FAM) on rat NK cells: evidence for receptor function, *Scand. J. Immunol.* 37 (1993) 131–142. <https://doi.org/10.1111/j.1365-3083.1993.tb01748.x>.
- [186] T. Nebl, K.N. Pestonjamas, J.D. Leszyk, J.L. Crowley, S.W. Oh, E.J. Luna, Proteomic analysis of a detergent-resistant membrane skeleton from neutrophil plasma membranes, *J. Biol. Chem.* 277 (2002) 43399–43409. <https://doi.org/10.1074/jbc.M205386200>.
- [187] E. Boilard, S.G. Bourgoin, C. Bernatchez, M.E. Surette, Identification of an autoantigen on the surface of apoptotic human T cells as a new protein interacting with inflammatory group IIA phospholipase A2, *Blood.* 102 (2003) 2901–2909. <https://doi.org/10.1182/blood-2002-12-3702>.
- [188] K. Dellagi, J.C. Brouet, J. Perreau, D. Paulin, Human monoclonal IgM with autoantibody activity against intermediate filaments, *Proc. Natl. Acad. Sci. U. S. A.* 79 (1982) 446–450. <https://doi.org/10.1073/pnas.79.2.446>.
- [189] K. Dellagi, F. Chedru, J.P. Clauvel, J.C. Brouet, [Peripheral neuropathy in Waldenström’s macroglobulinemia. Antibody activity of monoclonal immunoglobulin M directed against vimentin], *Presse Medicale Paris Fr.* 13 (1984) 1199–1201.
- [190] K. Dellagi, J.C. Brouet, M. Seligmann, Antivimentin autoantibodies in angioimmunoblastic lymphadenopathy, *N. Engl. J. Med.* 310 (1984) 215–218. <https://doi.org/10.1056/NEJM198401263100402>.
- [191] J.L. Senecal, N.F. Rothfield, J.M. Oliver, Immunoglobulin M autoantibody to vimentin intermediate filaments, *J. Clin. Invest.* 69 (1982) 716–721. <https://doi.org/10.1172/jci110500>.
- [192] D. Huet, M. Bagot, D. Loyaux, J. Capdevielle, L. Conraux, P. Ferrara, A. Bensussan, A. Marie-Cardine, SC5 mAb represents a unique tool for the detection of extracellular vimentin as a specific marker of Sezary cells, *J. Immunol. Baltim. Md 1950.* 176 (2006) 652–659.

<https://doi.org/10.4049/jimmunol.176.1.652>.

[193] M. Nikolova, A. Tawab, A. Marie-Cardine, M. Bagot, L. Boumsell, A. Bensussan, Increased expression of a novel early activation surface membrane receptor in cutaneous T cell lymphoma cells, *J. Invest. Dermatol.* 116 (2001) 731–738. <https://doi.org/10.1046/j.0022-202x.2001.doc.x>.

[194] N. Ortonne, D. Huet, C. Gaudez, A. Marie-Cardine, V. Schiavon, M. Bagot, P. Musette, A. Bensussan, Significance of circulating T-cell clones in Sezary syndrome, *Blood.* 107 (2006) 4030–4038. <https://doi.org/10.1182/blood-2005-10-4239>.

[195] E. Moisan, D. Girard, Cell surface expression of intermediate filament proteins vimentin and lamin B1 in human neutrophil spontaneous apoptosis, *J. Leukoc. Biol.* 79 (2006) 489–498. <https://doi.org/10.1189/jlb.0405190>.

[196] A.E. Starr, C.L. Bellac, A. Dufour, V. Goebeler, C.M. Overall, Biochemical characterization and N-terminomics analysis of leukolysin, the membrane-type 6 matrix metalloprotease (MMP25): chemokine and vimentin cleavages enhance cell migration and macrophage phagocytic activities, *J. Biol. Chem.* 287 (2012) 13382–13395. <https://doi.org/10.1074/jbc.M111.314179>.

[197] N.F. Steinmetz, J. Maurer, H. Sheng, A. Bensussan, I. Maricic, V. Kumar, T.A. Braciak, Two Domains of Vimentin Are Expressed on the Surface of Lymph Node, Bone and Brain Metastatic Prostate Cancer Lines along with the Putative Stem Cell Marker Proteins CD44 and CD133, *Cancers.* 3 (2011) 2870–2885. <https://doi.org/10.3390/cancers3032870>.

[198] J.-K. Kim, A.-M. Fahad, K. Shanmukhappa, S. Kapil, Defining the cellular target(s) of porcine reproductive and respiratory syndrome virus blocking monoclonal antibody 7G10, *J. Virol.* 80 (2006) 689–696. <https://doi.org/10.1128/JVI.80.2.689-696.2006>.

[199] A. Satelli, Z. Brownlee, A. Mitra, Q.H. Meng, S. Li, Circulating tumor cell enumeration with a combination of epithelial cell adhesion molecule- and cell-surface vimentin-based methods for monitoring breast cancer therapeutic response, *Clin. Chem.* 61 (2015) 259–266. <https://doi.org/10.1373/clinchem.2014.228122>.

[200] A. Satelli, I.S. Batth, Z. Brownlee, C. Rojas, Q.H. Meng, S. Kopetz, S. Li, Potential role of nuclear PD-L1 expression in cell-surface vimentin positive circulating tumor cells as a prognostic marker in cancer patients, *Sci. Rep.* 6 (2016) 28910. <https://doi.org/10.1038/srep28910>.

[201] A. Satelli, I. Batth, Z. Brownlee, A. Mitra, S. Zhou, H. Noh, C.R. Rojas, H. Li, Q.H. Meng, S. Li, EMT circulating tumor cells detected by cell-surface vimentin are associated with prostate cancer progression, *Oncotarget.* 8 (2017) 49329–49337. <https://doi.org/10.18632/oncotarget.17632>.

[202] T. Wei, X. Zhang, Q. Zhang, J. Yang, Q. Chen, J. Wang, X. Li, J. Chen, T. Ma, G. Li, S. Gao, J. Lou, R. Que, Y. Wang, X. Dang, L. Zheng, T. Liang, X. Bai, Vimentin-positive circulating tumor cells as a biomarker for diagnosis and treatment monitoring in patients with pancreatic cancer, *Cancer Lett.* 452 (2019) 237–243. <https://doi.org/10.1016/j.canlet.2019.03.009>.

[203] A. Mitra, A. Satelli, X. Xia, J. Cutrera, L. Mishra, S. Li, Cell-surface Vimentin: A mislocalized protein for isolating csVimentin(+) CD133(-) novel stem-like hepatocellular carcinoma cells expressing EMT markers, *Int. J. Cancer.* 137 (2015) 491–496. <https://doi.org/10.1002/ijc.29382>.

[204] H. Noh, J. Yan, S. Hong, L.-Y. Kong, K. Gabrusiewicz, X. Xia, A.B. Heimberger, S. Li, Discovery of cell surface vimentin targeting mAb for direct disruption of GBM tumor initiating cells, *Oncotarget.* 7 (2016) 72021–72032. <https://doi.org/10.18632/oncotarget.12458>.

[205] R.O. Schlingemann, G.M. Dingjan, J.J. Emeis, J. Blok, S.O. Warnaar, D.J. Ruiter, Monoclonal antibody PAL-E specific for endothelium, *Lab. Investig. J. Tech. Methods Pathol.* 52 (1985) 71–76.

[206] B. Xu, R.M. deWaal, N. Mor-Vaknin, C. Hibbard, D.M. Markovitz, M.L. Kahn, The endothelial cell-specific antibody PAL-E identifies a secreted form of vimentin in the blood vasculature, *Mol. Cell. Biol.* 24 (2004) 9198–9206. <https://doi.org/10.1128/MCB.24.20.9198-9206.2004>.

[207] N. Mor-Vaknin, A. Punturieri, K. Sitwala, D.M. Markovitz, Vimentin is secreted by activated macrophages, *Nat. Cell Biol.* 5 (2003) 59–63. <https://doi.org/10.1038/ncb898>.

[208] O. Cordero-Llana, S.A. Scott, S.L. Maslen, J.M. Anderson, J. Boyle, R.-R. Chowdhury, P. Tyers, R.A. Barker, C.M. Kelly, A.E. Rosser, E. Stephens, S. Chandran, M.A. Caldwell, Clusterin secreted by astrocytes enhances neuronal differentiation from human neural precursor cells, *Cell Death Differ.* 18 (2011) 907–913. <https://doi.org/10.1038/cdd.2010.169>.

[209] T.M. Greco, S.H. Seeholzer, A. Mak, L. Spruce, H. Ischiropoulos, Quantitative mass spectrometry-based proteomics reveals the dynamic range of primary mouse astrocyte protein secretion, *J. Proteome Res.* 9 (2010) 2764–2774. <https://doi.org/10.1021/pr100134n>.

- [210] B.C. Russo, L.M. Stamm, M. Raaben, C.M. Kim, E. Kahoud, L.R. Robinson, S. Bose, A.L. Queiroz, B.B. Herrera, L.A. Baxt, N. Mor-Vaknin, Y. Fu, G. Molina, D.M. Markovitz, S.P. Whelan, M.B. Goldberg, Intermediate filaments enable pathogen docking to trigger type 3 effector translocation, *Nat. Microbiol.* 1 (2016) 16025. <https://doi.org/10.1038/nmicrobiol.2016.25>.
- [211] M. Shigyo, T. Kuboyama, Y. Sawai, M. Tada-Umezaki, C. Tohda, Extracellular vimentin interacts with insulin-like growth factor 1 receptor to promote axonal growth, *Sci. Rep.* 5 (2015) 12055. <https://doi.org/10.1038/srep12055>.
- [212] H. Poulosom, P.J. Charles, Antibodies to citrullinated vimentin are a specific and sensitive marker for the diagnosis of rheumatoid arthritis, *Clin. Rev. Allergy Immunol.* 34 (2008) 4–10. <https://doi.org/10.1007/s12016-007-8016-3>.
- [213] E.R. Vossenaar, N. Després, E. Lapointe, A. van der Heijden, M. Lora, T. Senshu, W.J. van Venrooij, H.A. Ménard, Rheumatoid arthritis specific anti-Sa antibodies target citrullinated vimentin, *Arthritis Res. Ther.* 6 (2004) R142-150. <https://doi.org/10.1186/ar1149>.
- [214] M.B. Yu, J. Guerra, A. Firek, W.H.R. Langridge, Extracellular vimentin modulates human dendritic cell activation, *Mol. Immunol.* 104 (2018) 37–46. <https://doi.org/10.1016/j.molimm.2018.09.017>.
- [215] J.Z. Press, M. Reyes, S.J. Pitteri, C. Pennil, R. Garcia, B.A. Goff, S.M. Hanash, E.M. Swisher, Microparticles from ovarian carcinomas are shed into ascites and promote cell migration, *Int. J. Gynecol. Cancer Off. J. Int. Gynecol. Cancer Soc.* 22 (2012) 546–552. <https://doi.org/10.1097/IGC.0b013e318241d9b9>.
- [216] M. Sharma, R. Ravichandran, S. Bansal, R.M. Bremner, M.A. Smith, T. Mohanakumar, Tissue-associated self-antigens containing exosomes: Role in allograft rejection, *Hum. Immunol.* 79 (2018) 653–658. <https://doi.org/10.1016/j.humimm.2018.06.005>.
- [217] A. Weber, J.C. Wehmeyer, V. Schmidt, A. Lichtenberg, P. Akhyari, Rapid Fluorescence-based Characterization of Single Extracellular Vesicles in Human Blood with Nanoparticle-tracking Analysis, *J. Vis. Exp. JoVE.* (2019). <https://doi.org/10.3791/58731>.
- [218] S. Bukhari, T.A. Mokhdomi, N.A. Chikan, A. Amin, H. Qazi, S.H. Wani, A.H. Wafai, S. Tyub, F. Mustafa, M.S. Mir, N.A. Chowdri, R.A. Qadri, Affinity proteomics led identification of vimentin as a potential biomarker in colon cancers: insights from serological screening and computational modelling, *Mol. Biosyst.* 11 (2015) 159–169. <https://doi.org/10.1039/c4mb00506f>.
- [219] R.L. Mellgren, A plasma membrane wound proteome: reversible externalization of intracellular proteins following repairable mechanical damage, *J. Biol. Chem.* 285 (2010) 36597–36607. <https://doi.org/10.1074/jbc.M110.110015>.
- [220] J.L. Walker, B.M. Bleaken, A.R. Romisher, A.A. Alnwibit, A.S. Menko, In wound repair vimentin mediates the transition of mesenchymal leader cells to a myofibroblast phenotype, *Mol. Biol. Cell.* 29 (2018) 1555–1570. <https://doi.org/10.1091/mbc.E17-06-0364>.
- [221] A. Adolf, A. Rohrbeck, A. Münster-Wandowski, M. Johansson, H.-G. Kuhn, M.A. Kopp, B. Brommer, J.M. Schwab, I. Just, G. Ahnert-Hilger, M. Höltje, Release of astroglial vimentin by extracellular vesicles: Modulation of binding and internalization of C3 transferase in astrocytes and neurons, *Glia.* 67 (2019) 703–717. <https://doi.org/10.1002/glia.23566>.
- [222] Q. Da, M. Behymer, J.I. Correa, K.V. Vijayan, M.A. Cruz, Platelet adhesion involves a novel interaction between vimentin and von Willebrand factor under high shear stress, *Blood.* 123 (2014) 2715–2721. <https://doi.org/10.1182/blood-2013-10-530428>.
- [223] T.A. Fasipe, S.-H. Hong, Q. Da, C. Valladolid, M.T. Lahey, L.M. Richards, A.K. Dunn, M.A. Cruz, S.P. Marrelli, Extracellular Vimentin/VWF (von Willebrand Factor) Interaction Contributes to VWF String Formation and Stroke Pathology, *Stroke.* 49 (2018) 2536–2540. <https://doi.org/10.1161/STROKEAHA.118.022888>.
- [224] S.-H. Huang, F. Chi, L. Peng, T. Bo, B. Zhang, L.-Q. Liu, X. Wu, N. Mor-Vaknin, D.M. Markovitz, H. Cao, Y.-H. Zhou, Vimentin, a Novel NF- κ B Regulator, Is Required for Meningitic Escherichia coli K1-Induced Pathogen Invasion and PMN Transmigration across the Blood-Brain Barrier, *PloS One.* 11 (2016) e0162641. <https://doi.org/10.1371/journal.pone.0162641>.
- [225] F. Chi, T.D. Jong, L. Wang, Y. Ouyang, C. Wu, W. Li, S.-H. Huang, Vimentin-mediated signalling is required for IbeA+ E. coli K1 invasion of human brain microvascular endothelial cells, *Biochem. J.* 427 (2010) 79–90. <https://doi.org/10.1042/BJ20091097>.
- [226] Y. Zou, L. He, S.-H. Huang, Identification of a surface protein on human brain microvascular

endothelial cells as vimentin interacting with Escherichia coli invasion protein IbeA, *Biochem. Biophys. Res. Commun.* 351 (2006) 625–630. <https://doi.org/10.1016/j.bbrc.2006.10.091>.

[227] R.R. Sprenger, R.D. Fontijn, J. van Marle, H. Pannekoek, A.J.G. Horrevoets, Spatial segregation of transport and signalling functions between human endothelial caveolae and lipid raft proteomes, *Biochem. J.* 400 (2006) 401–410. <https://doi.org/10.1042/BJ20060355>.

[228] F. Chi, T. Bo, C.-H. Wu, A. Jong, S.-H. Huang, Vimentin and PSF act in concert to regulate IbeA+ E. coli K1 induced activation and nuclear translocation of NF- κ B in human brain endothelial cells, *PloS One.* 7 (2012) e35862. <https://doi.org/10.1371/journal.pone.0035862>.

[229] L. Deng, B.L. Spencer, J.A. Holmes, R. Mu, S. Rego, T.A. Weston, Y. Hu, G.F. Sanches, S. Yoon, N. Park, P.E. Nagao, H.F. Jenkinson, J.A. Thornton, K.S. Seo, A.H. Nobbs, K.S. Doran, The Group B Streptococcal surface antigen I/II protein, BspC, interacts with host vimentin to promote adherence to brain endothelium and inflammation during the pathogenesis of meningitis, *PLoS Pathog.* 15 (2019) e1007848. <https://doi.org/10.1371/journal.ppat.1007848>.

[230] P. Ghosh, E.M. Halvorsen, D.A. Ammendolia, N. Mor-Vaknin, M.X.D. O’Riordan, J.H. Brumell, D.M. Markovitz, D.E. Higgins, Invasion of the Brain by *Listeria monocytogenes* Is Mediated by InF and Host Cell Vimentin, *MBio.* 9 (2018) e00160-18. <https://doi.org/10.1128/mBio.00160-18>.

[231] E.E. Bastounis, Y.-T. Yeh, J.A. Theriot, Matrix stiffness modulates infection of endothelial cells by *Listeria monocytogenes* via expression of cell surface vimentin, *Mol. Biol. Cell.* 29 (2018) 1571–1589. <https://doi.org/10.1091/mbc.E18-04-0228>.

[232] A. Garg, P.F. Barnes, A. Porgador, S. Roy, S. Wu, J.S. Nanda, D.E. Griffith, W.M. Girard, N. Rawal, S. Shetty, R. Vankayalapati, Vimentin expressed on *Mycobacterium tuberculosis*-infected human monocytes is involved in binding to the NKp46 receptor, *J. Immunol. Baltim. Md 1950.* 177 (2006) 6192–6198. <https://doi.org/10.4049/jimmunol.177.9.6192>.

[233] Z. Li, D. Paulin, P. Lacolley, D. Coletti, O. Agbulut, Vimentin as a target for the treatment of COVID-19, *BMJ Open Respir. Res.* 7 (2020) e000623. <https://doi.org/10.1136/bmjresp-2020-000623>.

[234] Y.T.-C. Yu, S.-C. Chien, I.-Y. Chen, C.-T. Lai, Y.-G. Tsay, S.C. Chang, M.-F. Chang, Surface vimentin is critical for the cell entry of SARS-CoV, *J. Biomed. Sci.* 23 (2016) 14. <https://doi.org/10.1186/s12929-016-0234-7>.

[235] Ł. Suprewicz, M. Swoger, S. Gupta, E. Piktel, F.J. Byfield, D.V. Iwamoto, D.A. Germann, J. Reszeć, N. Marcińczyk, P. Janmey, J.M. Schwarz, R. Bucki, A. Patteson, Vimentin binds to SARS-CoV-2 spike protein and antibodies targeting extracellular vimentin block in vitro uptake of SARS-CoV-2 virus-like particles, *BioRxiv Prepr. Serv. Biol.* (2021) 2021.01.08.425793. <https://doi.org/10.1101/2021.01.08.425793>.

[236] S. Das, V. Ravi, A. Desai, Japanese encephalitis virus interacts with vimentin to facilitate its entry into porcine kidney cell line, *Virus Res.* 160 (2011) 404–408. <https://doi.org/10.1016/j.virusres.2011.06.001>.

[237] J.-J. Liang, C.-Y. Yu, C.-L. Liao, Y.-L. Lin, Vimentin binding is critical for infection by the virulent strain of Japanese encephalitis virus, *Cell. Microbiol.* 13 (2011) 1358–1370. <https://doi.org/10.1111/j.1462-5822.2011.01624.x>.

[238] K.J. Koudelka, G. Destito, E.M. Plummer, S.A. Trauger, G. Siuzdak, M. Manchester, Endothelial targeting of cowpea mosaic virus (CPMV) via surface vimentin, *PLoS Pathog.* 5 (2009) e1000417. <https://doi.org/10.1371/journal.ppat.1000417>.

[239] V.K. Kavathekar, M.J. Dhanavade, K.D. Sonawane, A. Balakrishnan, Role of cell surface vimentin in Chandipura virus replication in Neuro-2a cells, *Virus Res.* 285 (2020) 198014. <https://doi.org/10.1016/j.virusres.2020.198014>.

[240] J. Yang, L. Zou, Y. Yang, J. Yuan, Z. Hu, H. Liu, H. Peng, W. Shang, X. Zhang, J. Zhu, X. Rao, Superficial vimentin mediates DENV-2 infection of vascular endothelial cells, *Sci. Rep.* 6 (2016) 38372. <https://doi.org/10.1038/srep38372>.

[241] N. Du, H. Cong, H. Tian, H. Zhang, W. Zhang, L. Song, P. Tien, Cell surface vimentin is an attachment receptor for enterovirus 71, *J. Virol.* 88 (2014) 5816–5833. <https://doi.org/10.1128/JVI.03826-13>.

[242] H. Ise, S. Kobayashi, M. Goto, T. Sato, M. Kawakubo, M. Takahashi, U. Ikeda, T. Akaike, Vimentin and desmin possess GlcNAc-binding lectin-like properties on cell surfaces, *Glycobiology.* 20 (2010) 843–864. <https://doi.org/10.1093/glycob/cwq039>.

[243] S.-J. Kim, H. Ise, M. Goto, K. Komura, C.-S. Cho, T. Akaike, Gene delivery system based on

highly specific recognition of surface-vimentin with N-acetylglucosamine immobilized polyethylenimine, *Biomaterials*. 32 (2011) 3471–3480. <https://doi.org/10.1016/j.biomaterials.2010.12.062>.

[244] K. Komura, H. Ise, T. Akaike, Dynamic behaviors of vimentin induced by interaction with GlcNAc molecules, *Glycobiology*. 22 (2012) 1741–1759. <https://doi.org/10.1093/glycob/cws118>.

[245] I. Song, H. Ise, Development of a Gene Delivery System of Oligonucleotides for Fibroses by Targeting Cell-Surface Vimentin-Expressing Cells with N-Acetylglucosamine-Bearing Polymer-Conjugated Polyethyleneimine, *Polymers*. 12 (2020) E1508. <https://doi.org/10.3390/polym12071508>.

[246] M. Ise, H. Ise, Y. Shiba, S. Kobayashi, M. Goto, M. Takahashi, T. Akaike, U. Ikeda, Targeting N-acetylglucosamine-bearing polymer-coated liposomes to vascular smooth muscle cells, *J. Artif. Organs Off. J. Jpn. Soc. Artif. Organs*. 14 (2011) 301–309. <https://doi.org/10.1007/s10047-011-0595-3>.

[247] S.-J. Kim, H. Ise, M. Goto, T. Akaike, Interactions of vimentin- or desmin-expressing liver cells with N-acetylglucosamine-bearing polymers, *Biomaterials*. 33 (2012) 2154–2164. <https://doi.org/10.1016/j.biomaterials.2011.11.084>.

[248] H. Ise, M. Goto, K. Komura, T. Akaike, Engulfment and clearance of apoptotic cells based on a GlcNAc-binding lectin-like property of surface vimentin, *Glycobiology*. 22 (2012) 788–805. <https://doi.org/10.1093/glycob/cws052>.

[249] G. Perides, C. Harter, P. Traub, Electrostatic and hydrophobic interactions of the intermediate filament protein vimentin and its amino terminus with lipid bilayers, *J. Biol. Chem*. 262 (1987) 13742–13749.

[250] F.W. Lam, Q. Da, B. Guillory, M.A. Cruz, Recombinant Human Vimentin Binds to P-Selectin and Blocks Neutrophil Capture and Rolling on Platelets and Endothelium, *J. Immunol. Baltim. Md 1950*. 200 (2018) 1718–1726. <https://doi.org/10.4049/jimmunol.1700784>.

[251] F.W. Lam, C.A. Brown, C. Valladolid, D.C. Emebo, T.G. Palzkill, M.A. Cruz, The vimentin rod domain blocks P-selectin-P-selectin glycoprotein ligand 1 interactions to attenuate leukocyte adhesion to inflamed endothelium, *PloS One*. 15 (2020) e0240164. <https://doi.org/10.1371/journal.pone.0240164>.

[252] C. Yao, Y. Chen, J. Wang, T. Qian, W. Feng, Y. Chen, S. Mao, B. Yu, LncRNA BC088259 promotes Schwann cell migration through Vimentin following peripheral nerve injury, *Glia*. 68 (2020) 670–679. <https://doi.org/10.1002/glia.23749>.

[253] B. Hwang, H. Ise, Multimeric conformation of type III intermediate filaments but not the filamentous conformation exhibits high affinity to lipid bilayers, *Genes Cells Devoted Mol. Cell. Mech*. 25 (2020) 413–426. <https://doi.org/10.1111/gtc.12768>.

